

We know what's going on!

SOUNDERS, BEACONS
AND LED-SIGNAL TOWERS

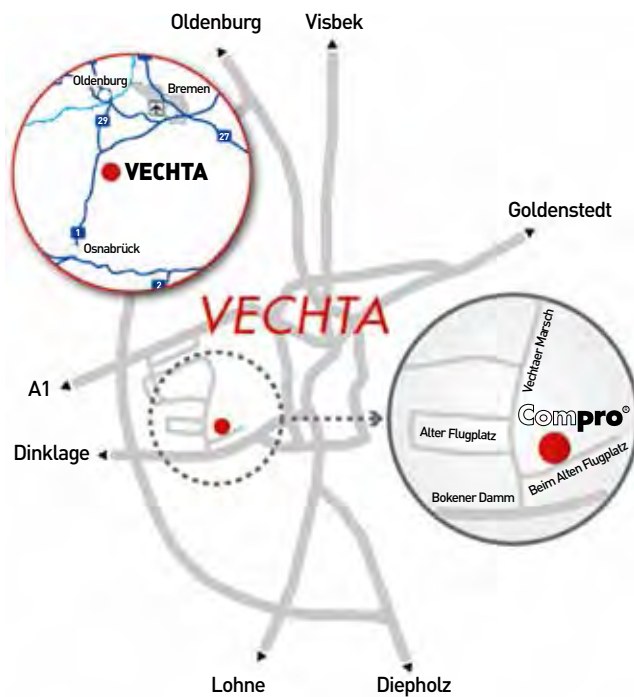


www.compro.de

Compro®
Electronic GmbH

Compro[®]

ELECTRONIC GMBH



Contact

Compro Electronic GmbH
Beim Alten Flugplatz 3
49377 Vechta
Germany
Tel. +49 (0) 4441 89112-50
Fax +49 (0) 4441 89112-55
info@compro.de
www.compro.de

Customer Service

Tel. +49 (0) 4441 89112-50
Fax +49 (0) 4441 89112-55
info@compro.de

Technical Support

Tel. +49 (0) 4441 89112-50
Fax +49 (0) 4441 89112-27
support@compro.de



Sounders

Chiasso 100 & Chiasso 90	5
Askari	6
Roshni Low Profile (ROLP)	7
CS 200	8
Squashni	9
Squashni G3	10
Symphoni IP21C & Symphoni IP66	11
Symphoni Voice Plus	12
Asserta	13
Asserta Midi	14

Beacons

Solex	16
Solista Maxi	17
Compro LED Beacons	18
Compro LED-Multifunction Beacons	19
Rotating Beacon	20

Signal Towers

Compro ST 40 & Compro ST 70	22
Compro ST 40 4F & Compro ST 70 4F	23
Innovations	24

Sounder-Beacon Units

Flashni	26
ROLP Solista Beacon	27
Chiasso 100 Razor	28
Asserta AV	29

LX-Series

Solista LX Wall	31
Solista LX Ceiling	32
Squashni G4 LX Ceiling	33
ROLP LX Wall	34
Symphoni LX Wall	35
Symphoni LX WP Wall	36

Accessories

Powered Deep Base	38
Double Base & Triple Base	39
Bases	40
Bases for Chiasso-Series	41
Magnet Base	41
Accessories for LED-Beacons	42
Accessories for Signal Towers	43

Hazardous area alarms

DB3	46
XB11	47
BExCS110-L1	48
IS-mA1	48
E2xCS112-5	48

Acoustic Components

Buzzer	50
Microphone	50
Speaker	51
Sirens	51
Transducer	52

Terms and Conditions	54
----------------------	----

Sounders

Sirens may be used to warn of potentially dangerous situations or relay instructions. We offer sirens for different possible applications, with low operating voltage, high sound output, voice message, discreet design or with robust housing. Our sirens may be used for fire & security technology and also in the industry, marine and rail technology.

With many years of experience and our wide product range, we are able to offer you the exact product for your requirements.



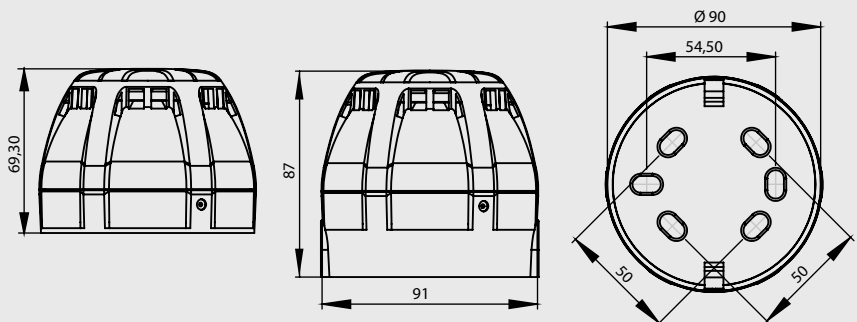
Sounders

CHIASO 100 & CHIASO 90

- | High sound output
- | Low current consumption
- | Exclusive design
- | 39 tones user selectable
- | Automatic synchronisation
- | Second tone for two stage alarms
- | Volume control
- | Flexible application possibilities



- Fire
- Security
- Industrial
- Railway
- Marine
- Optical
- Acoustic



SPECIFICATIONS

Model	Chiasso 100	Chiasso 90
Operating Voltage	9-28 VDC	9-28 VDC
Current consumption	9-35 mA/max. 31 mA @ DIN-Tone	4-6 mA
Sound output	60-120 dB(A)/98 dB(A) @ DIN-Tone	60-100 dB(A)
Alarm tones	39	39
IP rating	Shallow Base: IP54, Deep Base: IP65	Shallow Base: IP54, Deep Base: IP65
Operating temperature	-20°C to +70°C	-20°C to +70°C
Colours	red or white	red or white
Construction	ABS FR	ABS FR

Unless otherwise noted specifications at 24 VDC. Tonetables on request or to download on www.compro.de

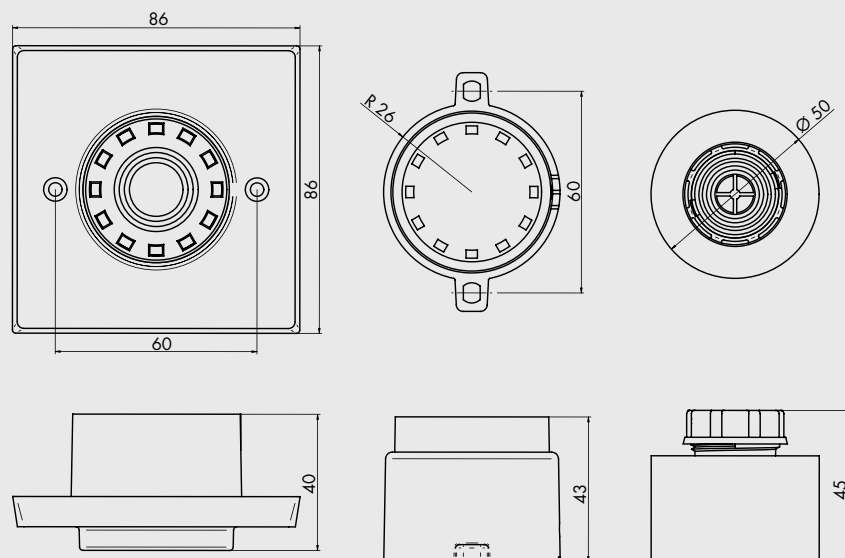
Sounders

ASKARI

- | High sound output
- | Low current consumption
- | 32 tones user selectable
- | Automatic synchronisation
- | Volume control
- | Second tone for two stage alarms
- | VdS approval



- Fire
- Security
- Industrial
- Railway
- Marine
- Optical
- Acoustic



SPECIFICATIONS

Model	ASKARI COMPACT	ASKARI FLANGE	ASKARI PANEL
Operating Voltage	9-28 VDC	9-28 VDC	9-28 VDC
Current consumption	8-35 mA/16 mA @ DIN-Tone	6-35 mA/16 mA @ DIN-Tone	5-35 mA/16 mA @ DIN-Tone
Sound output	68 - 106 dB(A)/ 95 dB(A) @ DIN-Tone	63 - 101 dB(A)/ 95 dB(A) @ DIN-Tone	63 - 101 dB(A)/ 95 dB(A) @ DIN-Tone
Alarm tones	32	32	32
IP rating	IP21C with Back Box	IP65	IP65
Operating temperature	-10°C to +55°C	-25°C to +70°C	-25°C to +70°C
Colours	red or white	red or white	red or white
Construction	ABS	ABS	ABS
Approvals	VdS (G206025), CPD; CNPP		

Unless otherwise noted specifications at 24 VDC. Tonetables on request or to download on www.compro.de

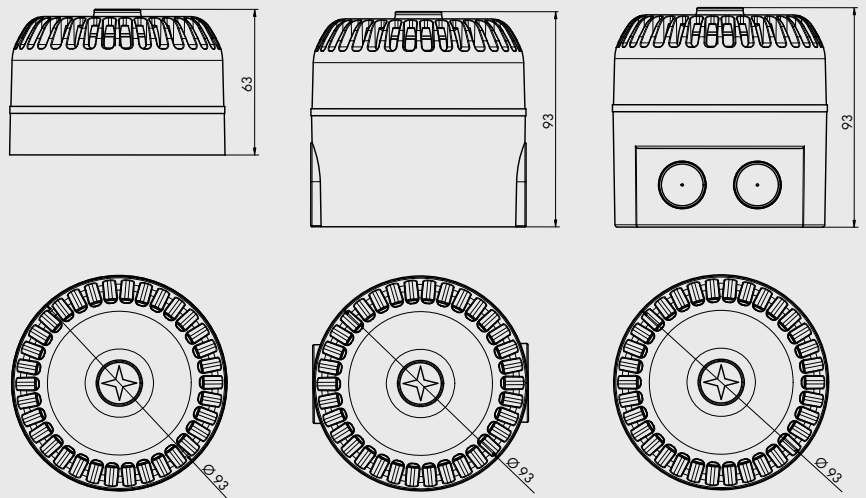
Sounders

ROSHNI LOW PROFILE (ROLP)

- | High sound output
- | Low current consumption
- | 32 tones user selectable
- | Automatic synchronisation
- | Volume control
- | Second tone for two stage alarms
- | VdS approval
- | Tamper switch for security applications available



- Fire
- Security
- Industrial
- Railway
- Marine
- Optical
- Acoustic



SPECIFICATIONS

Model	Roshni Low Profile (ROLP)
Operating Voltage	9-28 VDC
Current consumption	3-32 mA/15 mA @ DIN-Tone
Sound output	64-112 dB(A)/103 dB(A) @ DIN-Tone
Alarm tones	32
IP rating	Shallow Base: IP54, Deep Base: IP65, U-Base: IP65
Operating temperature	-25°C to +70°C
Colours	red or white
Construction	ABS
Approvals	VdS (G206019), CPD, LPCB, CNPP, UL

Unless otherwise noted specifications at 24 VDC. Tonetables on request or to download on www.compro.de

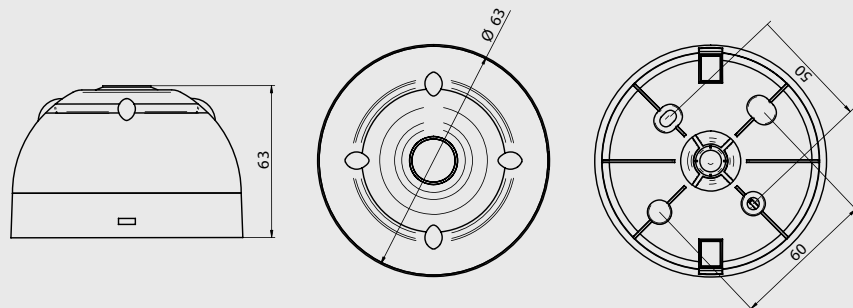
Sounders

CS 200

- | High sound output
- | Low current consumption
- | 32 tones user selectable
- | Automatic synchronisation
- | Second tone for two stage alarms
- | VdS approval



- Fire
- Security
- Industrial
- Railway
- Marine
- Optical
- Acoustic



SPECIFICATIONS

Model	CS 200
Operating Voltage	9-28 VDC
Current consumption	6-44 mA/19 mA @ DIN-Tone
Sound output	107 dB(A)/102 dB(A) @ DIN-Tone
Alarm tones	32
IP rating	IP21C
Operating temperature	-10°C to +55°C
Colours	red or white
Construction	ABS
Approvals	VdS (G209123); CPD

Unless otherwise noted specifications at 24 VDC. Tonetables on request or to download on www.compro.de

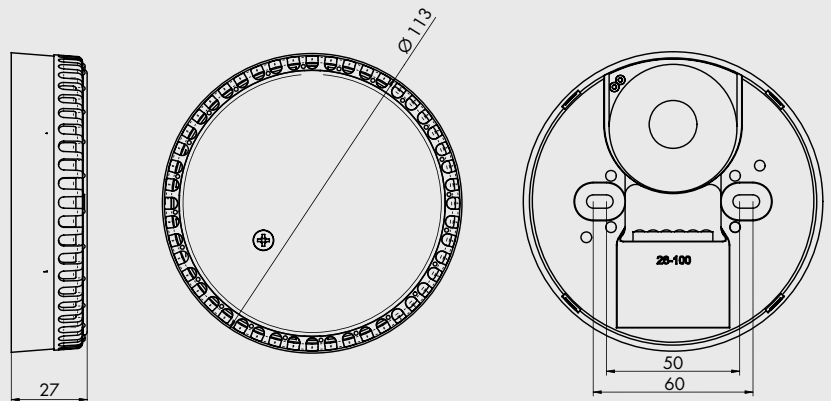
Sounders

SQUASHNI

- | Low current consumption
- | Cover for use as single sounder
- | Low installation costs
- | Mounting platform for detector
- | VdS approval



- Fire
- Security
- Industrial
- Railway
- Marine
- Optical
- Acoustic



SPECIFICATIONS

Model	Squashni
Operating Voltage	9-28 VDC
Current consumption	8-35 mA/16 mA @ DIN-Tone
Sound output	67-102 dB(A)/91 dB(A) @ DIN-Tone
Alarm tones	32
IP rating	IP21C
Operating temperature	-10°C to +55°C
Colours	red or white
Construction	ABS
Approvals	VdS (G206022), CPD; CNPP, UL

Unless otherwise noted specifications at 24 VDC. Tonetables on request or to download on www.compro.de

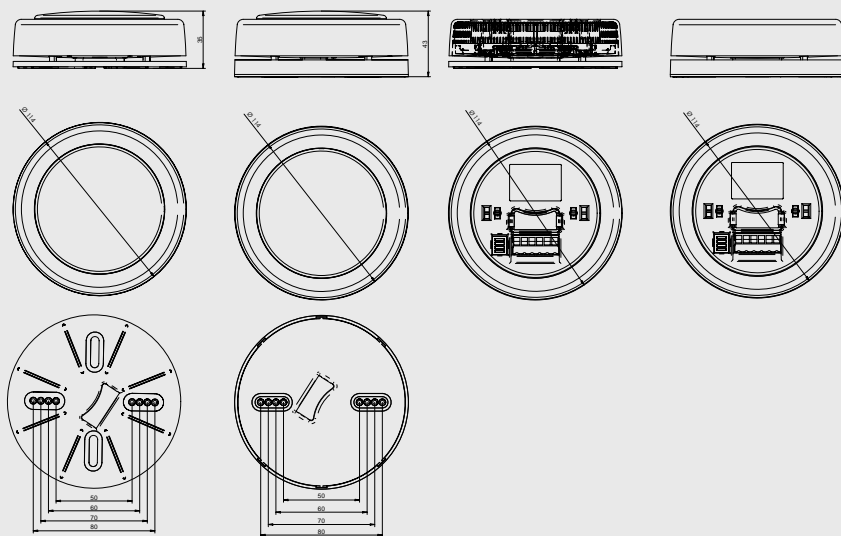
Sounders

SQUASHNI G3

- | Low current consumption
- | Cover for use as single sounder
- | Low installation costs
- | Mounting platform for detector
- | VdS approval



- Fire
- Security
- Industrial
- Railway
- Marine
- Optical
- Acoustic



SPECIFICATIONS

Model	Squashni G3
Operating Voltage	18-28 VDC
Current consumption	3-5 mA/5 mA @ DIN-Tone
Sound output	80-90 dB(A)/90 dB(A) @ DIN-Tone
Alarm tones	8
IP rating	IP21C
Operating temperature	-10°C to +55°C
Colour	white
Construction	ABS
Approvals	VdS (G211012)

Unless otherwise noted specifications at 24 VDC. Tonetables on request or to download on www.compro.de

Sounders

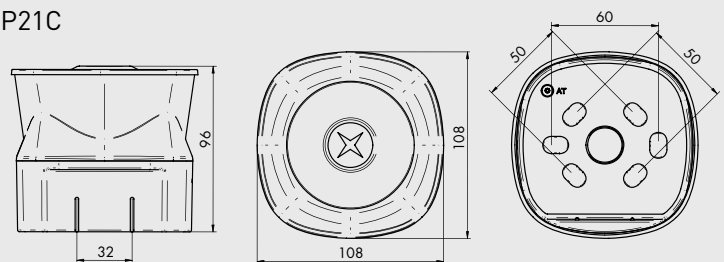
SYMPHONI IP21C & SYMPHONI IP66

- | High sound output
- | Low current consumption (Symphoni Low Power)
- | Tones user selectable
- | Automatic synchronisation
- | Volume control
- | Second tone for two stage alarm
- | VdS approval
- | IP66 with WP-Base

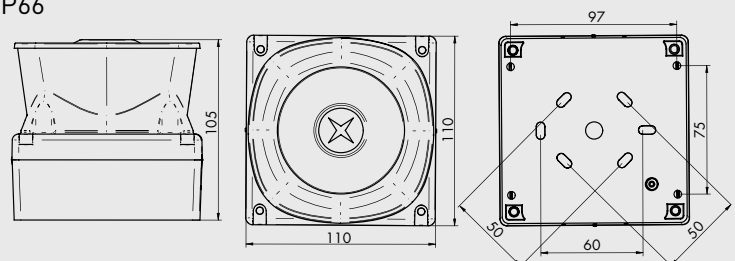


- Fire
- Security
- Industrial
- Railway
- Marine
- Optical
- Acoustic

Symphoni IP21C



Symphoni IP66



SPECIFICATIONS

Model	Symphoni High Output	Symphoni Low Power
Operating Voltage	9–28 VDC	12–30 VDC
Current consumption	190–260 mA/240 mA @ DIN-Tone	5 mA
Sound output	88–120 dB(A)/112 dB(A) @ DIN-Tone	100 dB(A)/99 dB(A) @ DIN-Tone
Alarm tones	32	3
IP rating	IP21C, IP66 with WP-Base	IP21C
Operating temperature	-10°C to +55°C, -25°C to +70°C with WP-Base	-10°C to +55°C
Colours	red or white	red or white
Construction	ABS FR	ABS FR
Approvals	VdS (G206027); CPD	VdS (G206026); CPD

Unless otherwise noted specifications at 24 VDC. Tonetables on request or to download on www.compro.de

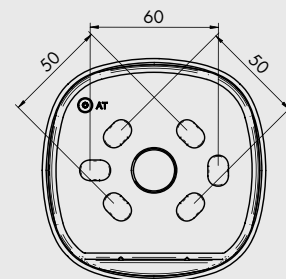
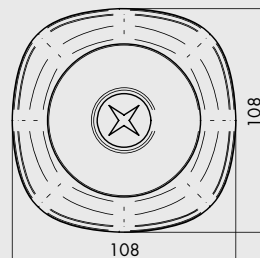
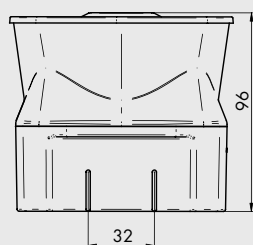
Sounders

SYMPHONI VOICE PLUS

- | High sound output
- | Low current consumption
- | 7 tones user selectable
- | Wide operating voltage range
- | Volume control
- | Memory cell for up to 16 messages
- | Also as Sounder-Beacon Unit available
- | IP66 with WP-Base



- Fire
- Security
- Industrial
- Railway
- Marine
- Optical
- Acoustic



SPECIFICATIONS

Model	Symphoni Voice Plus
Operating Voltage	9-60 VDC
Current consumption	4-8 mA/8 mA @ DIN-Tone
Sound output	100 dB(A)/100 dB(A) @ DIN-Tone
Volume control	-10 dB(A) with DIP-switch
IP rating	IP21C; IP66 with WP-Base
Operating temperature	-10°C to +55°C; -25°C to 70°C (WP)
Colours	red or white
Construction	ABS FR
Messages	7 voice messages (individual messages on request)
Alarm tones	7 tones + only voice message

Unless otherwise noted specifications at 24 VDC. Tonetables on request or to download on www.compro.de

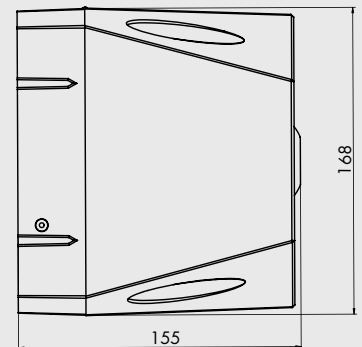
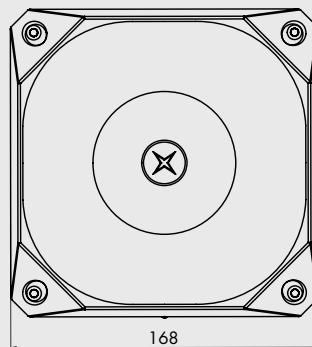
Sounders

ASSERTA

- | High output for industrial applications
- | IP66
- | Easy installation
- | High efficiency
- | Three stage alarm
- | Also as Sounder-Beacon Unit available



- Fire
- Security
- Industrial
- Railway
- Marine
- Optical
- Acoustic



SPECIFICATIONS

Model	Asserta 110, 24 VDC	Asserta 120, 24 VDC	Asserta 110, 230 VAC	Asserta 120, 230 VAC
Operating Voltage	18-28 VDC	18-28 VDC	115/230 VAC	115/230 VAC
Current consumption	35-122 mA/115 mA @ DIN-Tone	100-450 mA/430 mA @ DIN-Tone	0-40 mA @ 230 VAC	0-65 mA @ 230 VAC
Sound output	110 dB(A)/112 dB(A) @ DIN-Tone	120 dB(A)/116 dB(A) @ DIN-Tone	110 dB(A)	120 dB(A)
Alarm tones	42	42	42	42
IP rating	IP66	IP66	IP66	IP66
Operating temperature	-25°C to +70°C	-25°C to +70°C	-25°C to +70°C	-25°C to +70°C
Colours	red or grey	red or grey	red or grey	red or grey
Construction	PC/ABS	PC/ABS	PC/ABS	PC/ABS
Approvals	CPD	CPD		

Unless otherwise noted specifications at 24 VDC. Tonetables on request or to download on www.compro.de

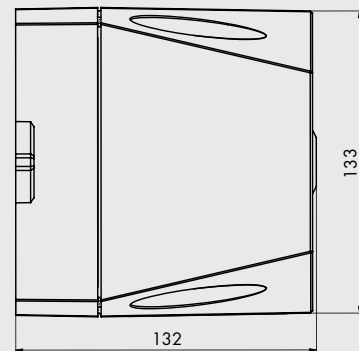
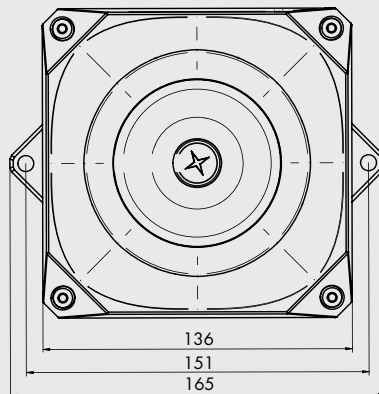
Sounders

ASSERTA MIDI

- | High output for industrial applications
- | IP66
- | Easy installation
- | High efficiency
- | Two stage alarm
- | Also as Sounder-Beacon Unit available



- Fire
- Security
- Industrial
- Railway
- Marine
- Optical
- Acoustic



SPECIFICATIONS

Model	Asserta Midi	
Operating Voltage	9-60 VDC	115/230 VAC
Current consumption	6-45 mA/31 mA @ DIN-Tone (24 VDC)	12-27 mA/13 mA @ DIN-Tone (230 VAC)
Sound output	111 dB(A)/109 dB(A) @ DIN-Tone (24 VDC)	112 dB(A)/112 dB(A) @ DIN-Tone
Alarm tones	32	32
IP rating	IP66	IP66
Operating temperature	-25°C to +70°C	-25°C to +70°C
Colours	red or grey	red or grey
Construction	ABS FR	ABS FR
Approvals	CPD	CPD

Unless otherwise noted specifications at 24 VDC. Tonetables on request or to download on www.compro.de

Beacons

Compro Beacons may be used for different possible applications. The products for Fire & Security characterize with their very low current consumption. In the industry our beacons are used for example for signaling an operating status.



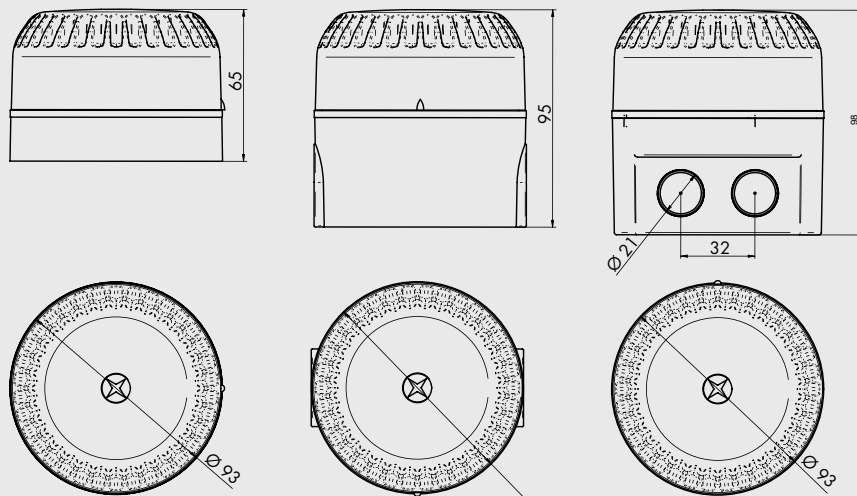
Xenon Beacons

SOLEX

- | Wide operating voltage range up to 60 VDC
- | Current surge suppression
- | Automatic synchronisation
- | High efficiency
- | Constant performance over voltage range
- | Screwable base
- | Tamper switch for security applications available
- | Five different lens colours



- Fire
- Security
- Industrial
- Railway
- Marine
- Optical
- Acoustic



SPECIFICATIONS

Model	Solex 3	Solex 10	Solex 15
Operating Voltage	9-60 VDC	9-60 VDC	9-60 VDC
Current consumption	85-25 mA	185-45 mA	510-120 mA
Light output	2,5 Cd	10 Cd	15 Cd
Flash rate	1 Hz ± 20%	1 Hz ± 20%	1 Hz ± 20%
IP rating	Shallow Base: IP54, Deep Base: IP65, U-Base: IP65	Shallow Base: IP54, Deep Base: IP65, U-Base: IP65	Shallow Base: IP54, Deep Base: IP65, U-Base: IP65
Operating temperature	-25°C to +70°C	-25°C to +70°C	-25°C to +70°C
Lens colours	red, amber, clear, blue, green	red, amber, clear, blue, green	red, amber, clear, blue, green
Construction	Base: ABS, Lens: PC	Base: ABS, Lens: PC	Base: ABS, Lens: PC

Unless otherwise noted specifications at 24 VDC.

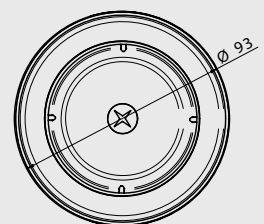
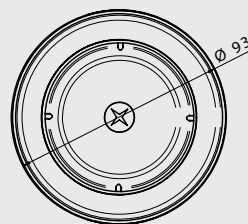
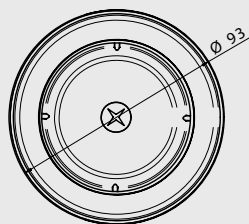
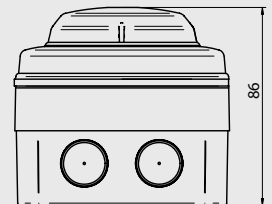
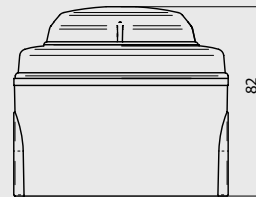
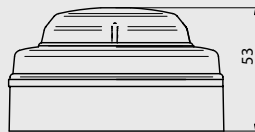
LED-Beacons

SOLISTA MAXI

- | 3 selectable steps of light intensity
- | Wide operating voltage range
- | Automatic synchronisation
- | High efficiency
- | Continuous light, flash light, double flash
- | Long life-time
- | High steadiness
- | Screwable base



- Fire
- Security
- Industrial
- Railway
- Marine
- Optical
- Acoustic



SPECIFICATIONS

Model	Solista Maxi
Operating Voltage	9-60 VDC
Current consumption	3 mA/5 mA/15 mA (adjustable)
Light output	>0,5 Cd/>1,0 Cd/>3,0 Cd (adjustable)
Flash rate	continuous light, flash light, double flash
IP rating	Shallow Base: IP54, Deep Base: IP65, U-Base: IP65
Operating temperature	-10°C to +55°C
Lens colours	red or clear
Body colours	red or white
Flash colours	red, amber, clear, blue, green
Construction	Base: ABS, Lens: PC

Unless otherwise noted specifications at 24 VDC.

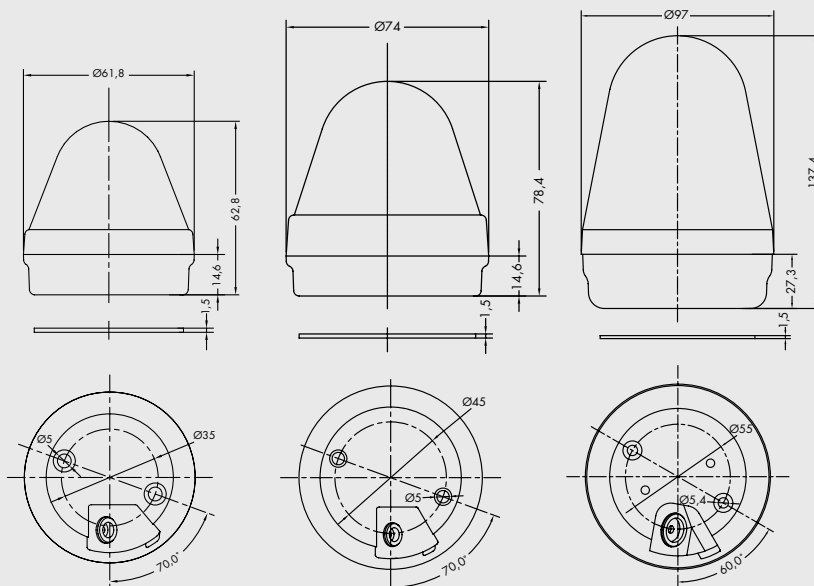
LED-Beacons

COMPRO LED-BEACONS

- | Low current consumption
- | Robust construction
- | IP65
- | Easy installation
- | Flexible capabilities



- Fire
- Security
- Industrial
- Railway
- Marine
- Optical
- Acoustic



SPECIFICATIONS

Model	CO BL 50	CO BL 70	CO BL 90
Operating Voltage	24 V AC/DC	24 V AC/DC	24 V AC/DC
Current consumption	45 mA	65 mA	65 mA
IP rating	IP65	IP65	IP65
Operating temperature	-25°C to +70°C	-25°C to +70°C	-25°C to +70°C
Body colour	black	black	black
Lens colours	red, amber, green, blue, clear	red, amber, green, blue, clear	red, amber, green, blue, clear
Construction	Lens: PC; Base: MPP0	Lens: PC; Base: MPP0	Lens: PC; Base: MPP0

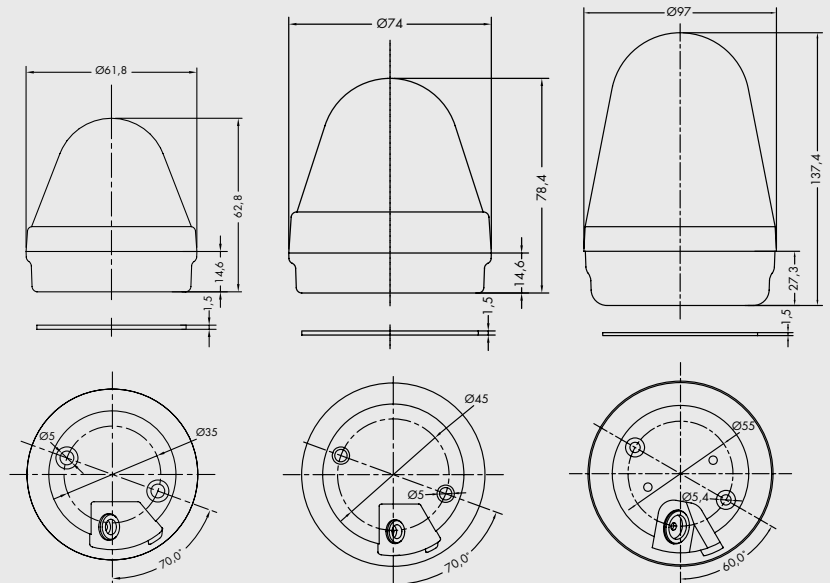
LED-Beacons

COMPRO LED-MULTIFUNCTION-BEACONS

- | Robust construction
- | IP65
- | Easy installation
- | Flexible capabilities
- | Advanced LED-technology
- | High performance



- Fire
- Security
- Industrial
- Railway
- Marine
- Optical
- Acoustic



SPECIFICATIONS

Model	CO BL 50 15F	CO BL 70 15F	CO BL 90 15F
Operating Voltage	12-24 V AC/DC	12-24 V AC/DC	12-24 V AC/DC
Current consumption	80 mA	160 mA	320 mA
IP rating	IP65	IP65	IP65
Operating temperature	-25°C to +70°C	-25°C to +70°C	-25°C to +70°C
Body colour	black	black	black
Lens colours	red, amber, green, blue, clear	red, amber, green, blue, clear	red, amber, green, blue, clear
Construction	Lens: PC; Base: MPP0	Lens: PC; Base: MPP0	Lens: PC; Base: MPP0

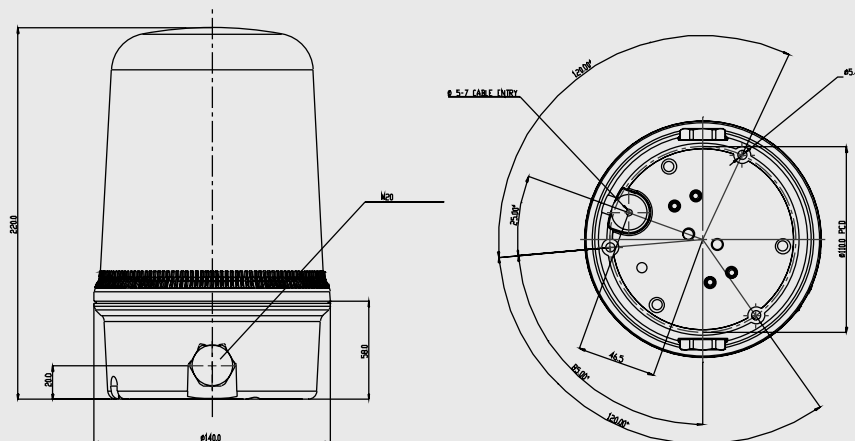
Rotating Beacon

ROTATING BEACON

- | Body made of UV-resistant polycarbonate
- | For in- and outdoor use
- | Accessories like mounting bracket or stand available
- | Also with LED-, Xenon-, or Halogen-technology available
- | 6 lens colours available



- Fire
- Security
- Industrial
- Railway
- Marine
- Optical
- Acoustic



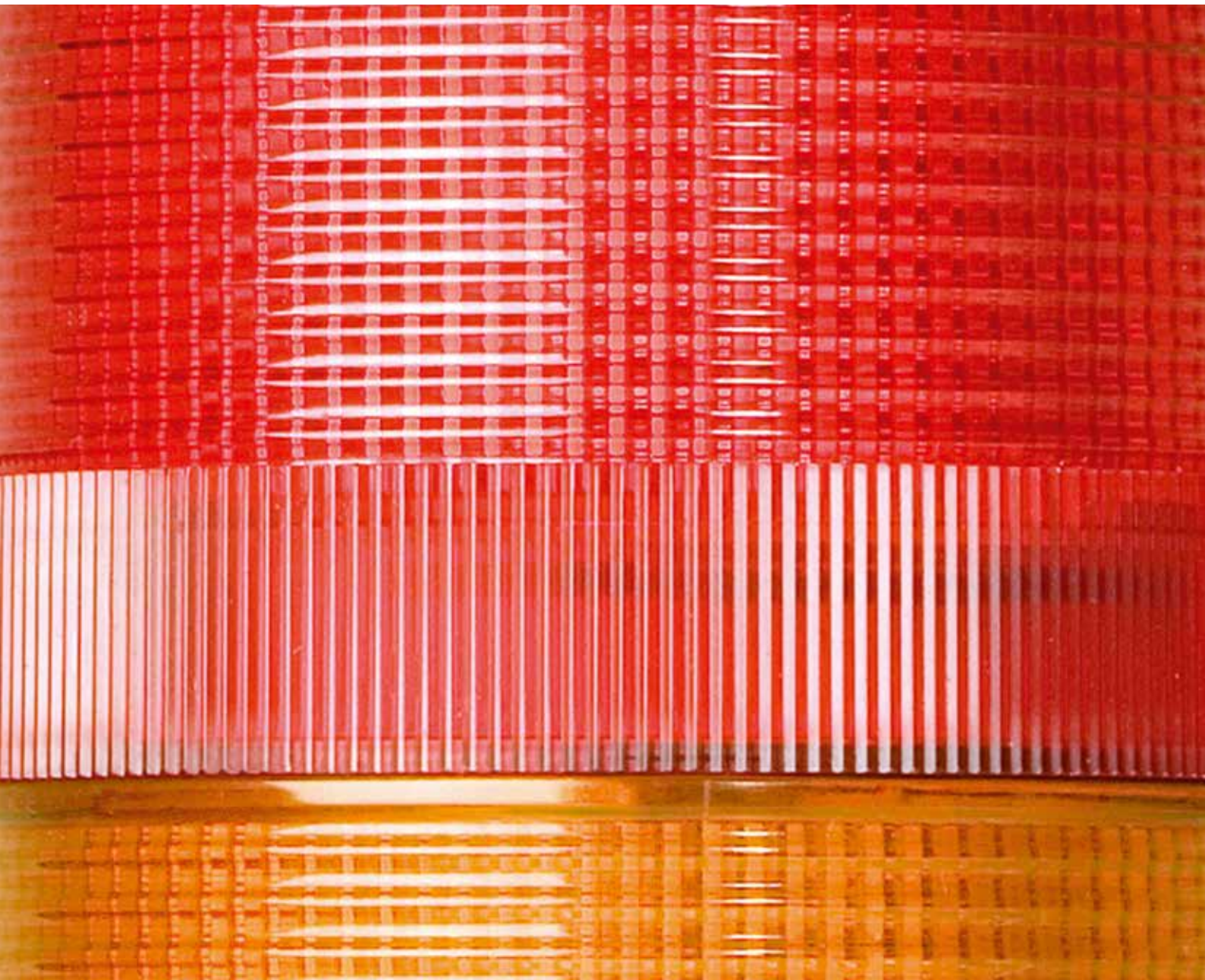
SPECIFICATIONS

Model	B400RTH
Operating Voltage	12 VDC, 24 VDC, 115 VAC and 230 VAC
Current consumption	3.0 A, 1.5 A, 0.338 A, 0.186 A
Output	35 W/40 W
Flash rate	180 RPM (±30 RPM)
IP rating	IP65
Operating temperature	-25°C to +50°C
Body colour	black
Lens colours	red, amber, clear, blue, green
Construction	PC
Accessories	Optional: Mounting bracket, Stand

Signal Towers

The Compro signal towers are mainly used in the industry, where they are used for signaling an operating status.

You can get the signal towers pre-assembled with optional one to three elements or as single element, so they can be matched to particular needs.



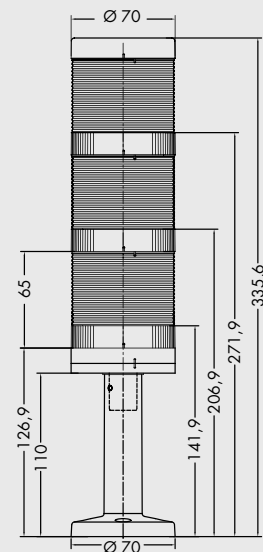
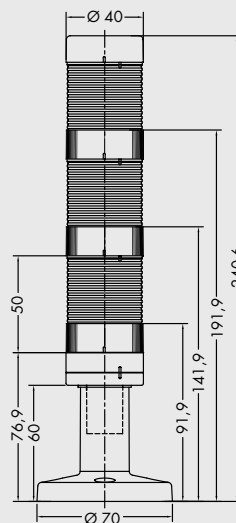
Signal Towers

COMPRO LED-SIGNAL TOWERS CO ST 40 & CO ST 70

- | Flexible capabilities
- | Several combination possibilities
- | Impact-proof case
- | Sounder version available
- | Easy assembly



- Fire
- Security
- Industrial
- Railway
- Marine
- Optical
- Acoustic



SPECIFICATIONS

Model	CO ST 40	CO ST 70
Operating Voltage	24 V AC/DC	24 V AC/DC / 230 V AC
Current consumption	45 mA	45 mA
Capabilities	continuous light	continuous light, flash light
IP rating	IP65	IP65
Operating temperature	-25°C to +70°C	-25°C to +70°C
Body colour	black	black
Lens colours	red, amber, green, blue, clear	red, amber, green, blue, clear
Construction	Lens: PC; Base: MPP0	Lens: PC; Base: MPP0

*NEW: 230 V-module
now available!*

Signal Towers

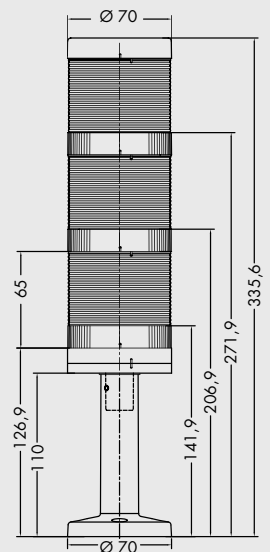
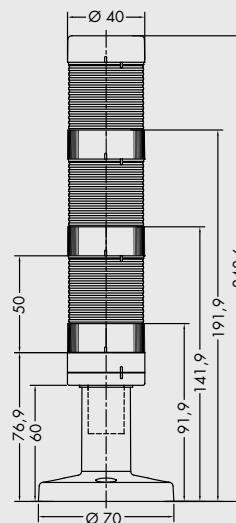
COMPRO LED-SIGNAL TOWERS CO ST 40 4F & CO ST 70 4F

- | Flexible capabilities
- | Several combination possibilities
- | Impact-proof case
- | Sounder version available
- | Easy assembly

4 settings adjustable:
continuous light,
flash light, double
flash light and rotating
beacon light



- Fire
- Security
- Industrial
- Railway
- Marine
- Optical
- Acoustic



SPECIFICATIONS

Model	CO ST 40 4F	CO ST 70 4F
Operating Voltage	12-24 V AC/DC	12-24 V AC/DC / 230 V AC
Current consumption	80 mA	120 mA
Capabilities	continuous light, flash light, double flash light and rotating beacon light	
IP rating	IP65	IP65
Operating temperature	-25°C to +70°C	-25°C to +70°C
Body colour	black	black
Lens colours	red, amber, green, blue, clear	red, amber, green, blue, clear
Construction	Lens: PC; Base: MPP0	Lens: PC; Base: MPP0

*NEW: 230 V-module
now available!*

Coming soon!

Power-Module for Signal Tower



SPECIFICATIONS

Model	230 V-Modul for CO ST 70
Operating Voltage	100-240 V
IP rating	IP65

LED-Element Multicolour for Signal Tower

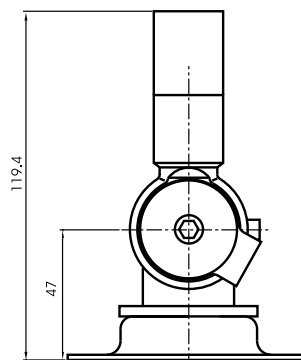
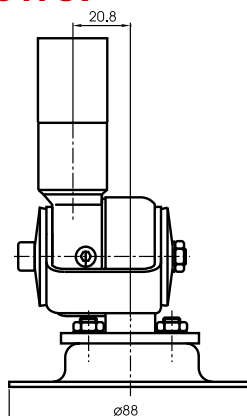


SPECIFICATIONS

Model	LED-Element Multicolour for CO ST 70
Operating Voltage	24 V AC/DC (+/-3 V)
Current consumption	20-60 mA
IP rating	IP65
Elementary colours	red, green, amber, blue
Lens colour	clear
Capabilities	continuous light + flash light



Stand foldable for Signal Tower



Sounder-Beacon Units

There are many situations where both a visual and an audible warning are required for dangerous situations or to signalize an operating status.

These units are available with LED- and Xenon-Flash. In order to simplify installation, reduce costs and satisfy applicable legislation, a range of combined indication and sounder units are available.



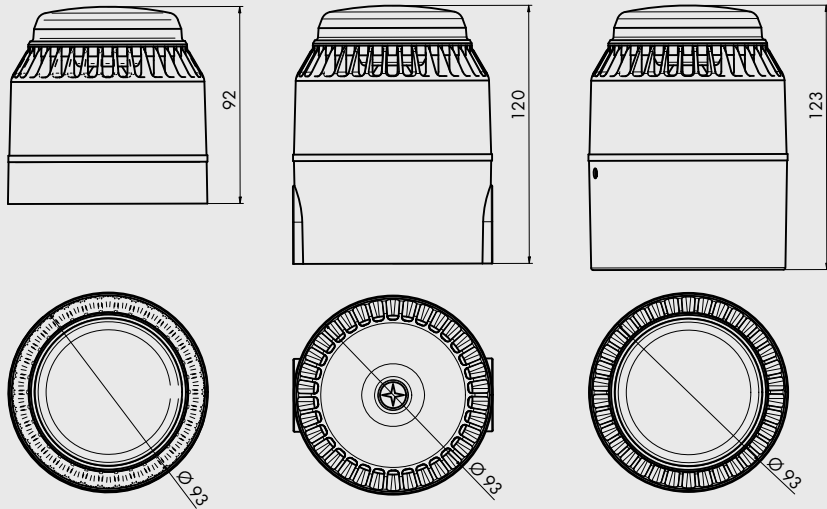
Sonder-Beacon Units

FLASHNI

- | High sound output
- | Switch board version available
- | Automatic synchronisation
- | Volume control
- | Different lens sounder colours available
- | Xenon-flash



- Fire
- Security
- Industrial
- Railway
- Marine
- Optical
- Acoustic



SPECIFICATIONS

Model	Flashni 12 VDC	Flashni 24 VDC
Operating Voltage	9-15 VDC	18-28 VDC
Current consumption	83-111 mA/87 mA @ DIN-Tone	59-85 mA/66 mA @ DIN-Tone
Sound output	75-104 dB(A)/94 dB(A) @ DIN-Tone	83-110 dB(A)/98 dB(A) @ DIN-Tone
Alarm tones	32	32
IP rating	Shallow Base: IP54, Deep Base: IP65, U-Base: IP65	Shallow Base: IP54 Deep Base: IP65, U-Base: IP65
Operating temperature	-10°C to +55°C	-10°C to +55°C
Body colours	red or white	red or white
Lens colours	red, amber, blue, green, clear	red, amber, blue, green, clear
Construction	ABS FR	ABS FR
Construction lens	PC	PC
Approvals	CPD	CPD

Unless otherwise noted specifications at 24 VDC. Tonetables on request or to download on www.compro.de

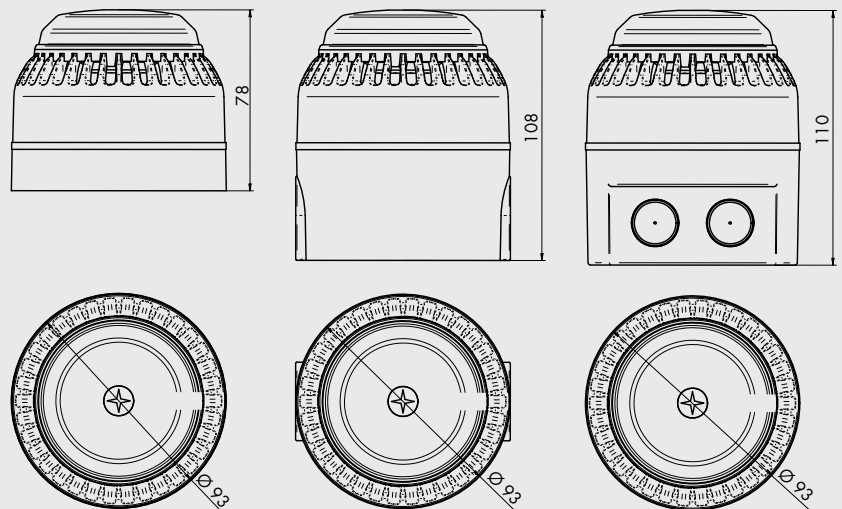
Sounder-Beacon Units

ROLP SOLISTA BEACON

- | Low current consumption
- | High steadiness
- | LED-flash
- | Compact design



- Fire
- Security
- Industrial
- Railway
- Marine
- Optical
- Acoustic



SPECIFICATIONS

Model	ROLP Solista Beacon
Operating Voltage	9-28 VDC
Current consumption	6-35 mA/18 mA @ DIN-Tone
Sound output	>0,5 Cd/94 dB(A) @ DIN-Tone
Alarm tones	32
IP rating	Shallow Base: IP54, Deep Base: IP65, U-Base: IP65
Operating temperature	-10°C to +55°C
Body colours	red or white
Lens colour	red
Construction	ABS FR
Construction lens	PC
Approvals	CPD

Unless otherwise noted specifications at 24 VDC. Tonetables on request or to download on www.compro.de

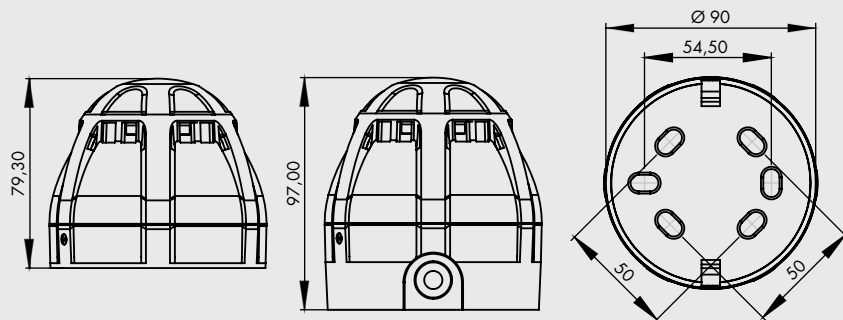
Sounder-Beacon Units

CHIASSO 100 RAZOR

- | High sound output
- | Low current consumption
- | Exclusive design
- | 39 tones user selectable
- | Automatic synchronisation
- | Second tone for two stage alarms
- | Volume control
- | Flexible capabilities
- | LED technology



- Fire
- Security
- Industrial
- Railway
- Marine
- Optical
- Acoustic



SPECIFICATIONS

Model	Chiasso 100 Razor
Operating Voltage	9-28 VDC
Current consumption	max. 40mA
Sound output	67-100 dB(A)/98 dB(A) @ DIN-Tone
Alarm tones	39
IP rating	Shallow Base: IP54, Deep Base: IP65
Operating temperature	-20°C to +70°C
Body colours	red or white
Lens colours	red, amber, green, blue
Construction	ABS FR
Construction lens	PC

Unless otherwise noted specifications at 24 VDC. Tonetables on request or to download on www.compro.de

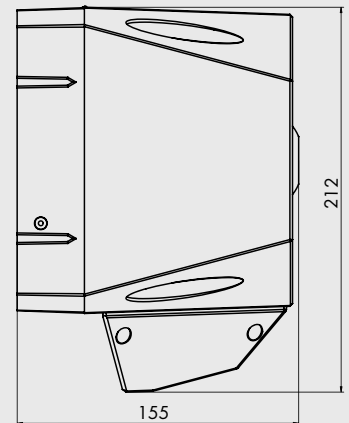
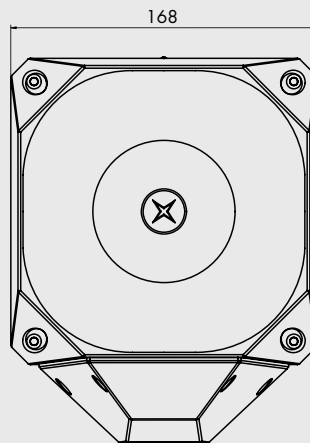
Sounder-Beacon Units

ASSERTA AV

- | High output for industrial applications
- | IP66
- | Easy installation
- | High efficiency
- | Xenon-flash
- | Three stage alarm



- Fire
- Security
- Industrial
- Railway
- Marine
- Optical
- Acoustic



SPECIFICATIONS

Model	Asserta 110, 24 VDC	Asserta 120, 24 VDC	Asserta 110, 230 VAC	Asserta 120, 230 VAC
Operating Voltage	18–30 VDC	18–30 VDC	230 VAC	230 VAC
Current consumption	105 mA	450 mA	40 mA	65 mA
Sound output	110 dB(A)	120 dB(A)	110 dB(A)	120 dB(A)
Alarm tones	42	42	42	42
IP rating	IP66	IP66	IP66	IP66
Operating temperature	-25°C to +75°C	-25°C to +75°C	-25°C to +75°C	-25°C to +75°C
Body colours	red or grey	red or grey	red or grey	red or grey
Flash rate	0,75/1/1,25 Hz	0,75/1/1,25 Hz	2 Hz	2 Hz
Lens colours	red, amber, clear	red, amber, clear	red, amber, clear	red, amber, clear
Construction	ABS	ABS	ABS	ABS
Construction lens	PC	PC	PC	PC
Approvals	CPD	CPD		

Unless otherwise noted specifications at 24 VDC. Tonetables on request or to download on www.compro.de

LX-Series

Starting with the 1 January 2014 the new EU-Norm "EN 54-23" requires essential changes for the installation of flashlights.

Our product series "LX" is certificated for future requirements and provides innovative technology for a wide range of applications – from simple flashlights to combined units, for wall and ceiling installation.



LX-Series

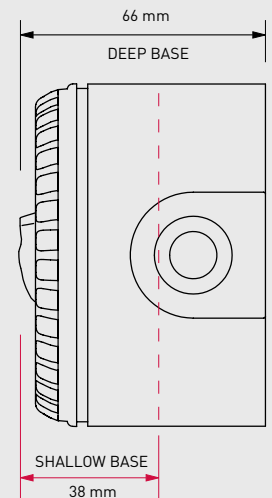
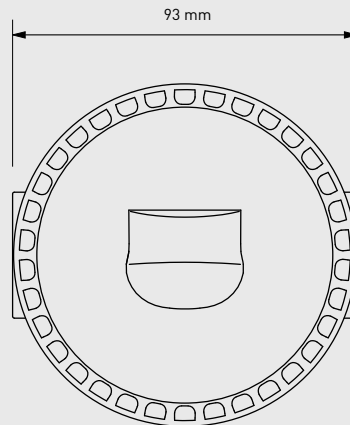
SOLISTA LX WALL

EN 54-23 coverage reference W-2,4-7,5
Minimum current consumption 10 mA

The new Solista LX Wall product takes its slim line design queues from the popular Solista Maxi. Available in a red and white body colour and with a shallow base, deep base or U base, the Solista LX Wall is suitable for a variety of applications.



- | Conforms with EN54-23
- | LED technology
- | Unique optics for light management
- | Up to 7.5 m coverage volume
- | Coverage switch
- | Flash rate switch
- | Wide input voltage range
- | Soft start up



SPECIFICATIONS

Model	Solista LX Wall
Operating Voltage	9-60 VDC
Current consumption	10-25 mA dependet on setting
Coverage (y)	7,5 m (switchable to 2,5 m)
Mounting height (x)	2,4 m (max.)
Coverage Volume Code	W-2,4-7,5 (135 m³)
Flash rate	1 Hz (switchable to 0,5 Hz)
Operating temperature	-25°C to +70°C
IP rating	IP33c ShallowBase, IP65 DeepBase and U-Base
Body colours	white and red
LED colours	white and red
Approvals	CPD

Unless otherwise noted specifications at 24 VDC.

LX-Series

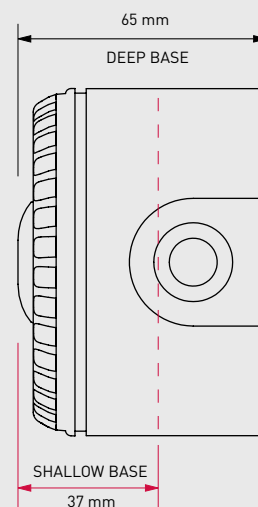
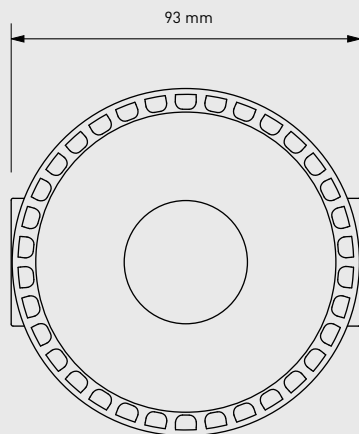
SOLISTA LX CEILING

EN 54-23 coverage reference C-3-7,5
Minimum current consumption 10 mA

The Solista LX Ceiling has a unique lens design that distributes the light in a cylindrical shape, achieving the required illumination of EN 54-23. Designed for installation at a height of 3 m and with a discrete appearance, the device is ideal for a variety of applications.



- | Conforms with EN54-23
- | LED technology
- | Unique optics for light management
- | Up to 7.5 m coverage volume
- | Coverage switch
- | Flash rate switch
- | Wide input voltage range
- | Soft start up
- | New connection layout



SPECIFICATIONS

Model	Solista LX Ceiling
Operating Voltage	9-60 VDC
Current consumption	10-25 mA dependet on setting
Coverage (y)	7,5 m (switchable to 3 m)
Mounting height (x)	3 m (max.)
Coverage Volume Code	C-3-7,5 (132 m³)
Flash rate	1 Hz (switchable to 0,5 Hz)
Operating temperature	-25°C to +70°C
IP rating	IP33c ShallowBase, IP65 DeepBase and U-Base
Body colours	white
LED colours	white and red
Approvals	CPD

Unless otherwise noted specifications at 24 VDC.

LX-Series

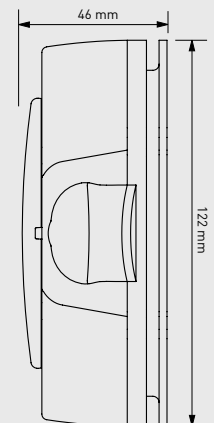
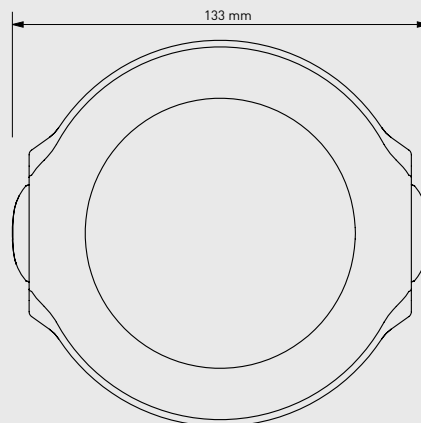
SQUASHNI G4 LX CEILING

EN 54-23 coverage reference C-3-15
Minimum current consumption 65mA

The Squashni G4 LX Wall device refracts light around any detector to provide the required illumination demanded by EN 54-23. It has a high coverage volume of 15 m, making it most suited for large public space applications but still ensuring current consumption is kept low by maximising light dispersal through the unique optical technology. It can be fitted with any standard detector.



- | Conforms with EN54-23
- | LED technology
- | Dual optics for light management
- | Up to 5 m coverage volume
- | Coverage switch
- | Flash rate switch
- | Wide input voltage range
- | Soft start up
- | Locking cover



SPECIFICATIONS

Model	Squashni G4 LX Ceiling
Operating Voltage	18-28 VDC (Fire Use), 9-28 VDC (Non fire Use)
Current consumption	65-130 mA dependent on setting
Coverage (y)	15 m (switchable to 5 m)
Mounting height (x)	3 m (max.)
Sound output	97 dB(A)
Coverage Volume Code	C-3-15 (675 m³)
Flash rate	1 Hz (switchable to 0,5 Hz)
Operating temperature	-10°C to +55°C
IP rating	IP21C
Body colours	white or red
LED colours	white or red

Unless otherwise noted specifications at 24 VDC.

LX-Series

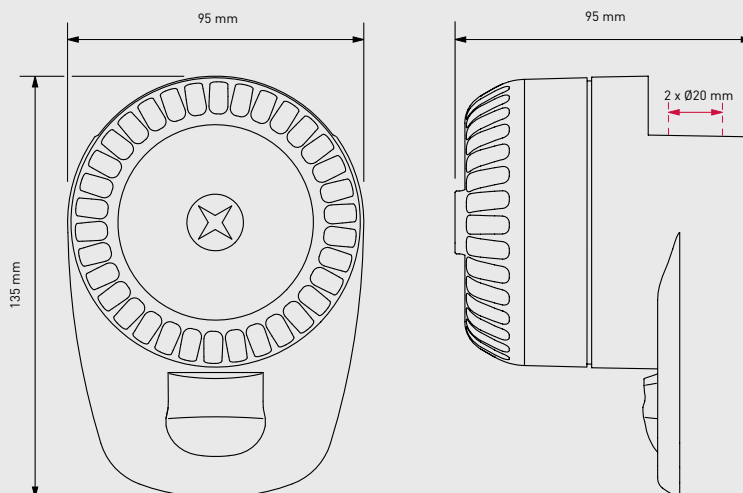
ROLP LX WALL

EN 54-23 coverage reference W-2,4-7,5
Minimum current consumption 22 mA

The RoLP LX Wall base is ideal for dual use applications where a visual alarm device is required in addition to an audible alarm. Recommended for wall use and requiring just one installation point, the RoLP LX Wall is available to use with any standard RoLP sounder, including the high output RoLP Maxi sounder.



- | Conforms with EN54-23
- | LED technology
- | Unique optics for light management
- | Up to 7.5 m coverage volume
- | Coverage switch
- | Flash rate switch
- | Wide input voltage range
- | Soft start up



SPECIFICATIONS

Model	RoLP LX Wall
Operating Voltage	9-15 VDC (Fire Use), 18-28 VDC (Fire Use), 9-28 VDC (Non fire Use)
Current consumption	22-37 mA dependent on settings
Coverage (y)	7,5 m (switchable to 2,5 m)
Mounting height (x)	2,4 m (max.)
Sound output	102 dB(A) @ DIN-Tone
Coverage Volume Code	W-2,4-7,5 (135 m ³)
Flash rate	1 Hz (switchable to 0,5 Hz)
Operating temperature	-25°C to +70°C
IP rating	IP65
Body colours	white or red
LED colours	white or red

Unless otherwise noted specifications at 24 VDC. Tonetables on request or to download on www.compro.de

LX-Series

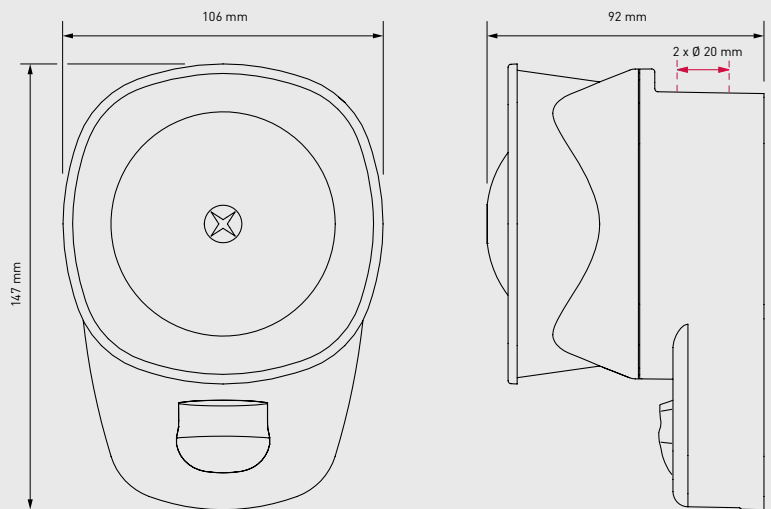
SYMPHONI LX WALL

EN 54-23 coverage reference W-2,4-7,5
Minimum current consumption 15 mA

The Symphoni LX Wall base can be used in combination with any standard Symphoni sounder. Its durable design ensures reliability and its high sound output makes it suitable for open areas or where there is higher than normal background noise.



- | Conforms with EN54-23
- | LED technology
- | Unique optics for light management
- | Up to 7.5 m coverage volume
- | Coverage switch
- | Flash rate switch
- | Wide input voltage range
- | Soft start up
- | Easy wire base
- | Locking bases



SPECIFICATIONS

Model	Symphoni LX Wall
Operating Voltage	18-28 VDC (Fire Use), 12-28 VDC (Non fire Use)
Current consumption	15-30 mA dependent on settings
Coverage (y)	7,5 m (switchable to 2,5 m)
Mounting height (x)	2,4 m (max.)
Sound output	112 dB(A) @ DIN-Tone Symphoni H0
Coverage Volume Code	W-2,4-7,5 (135 m³)
Flash rate	1 Hz (switchable to 0,5 Hz)
Operating temperature	-10°C to +55°C
IP rating	IP21C
Body colours	white or red
LED colours	white or red

Unless otherwise noted specifications at 24 VDC. Tonetables on request or to download on www.compro.de

LX-Series

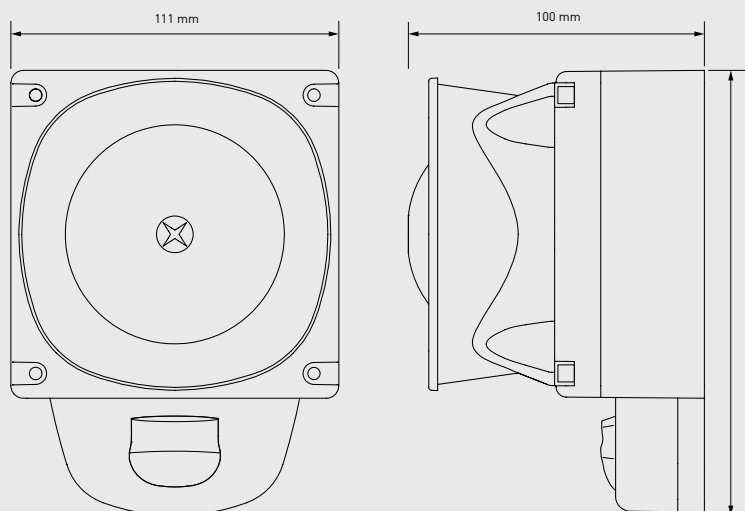
SYMPHONI LX WP WALL

EN 54-23 coverage reference W-2,4-7,5
Minimum current consumption 15 mA

The Symphoni LX WP Wall device offers a weatherproof alternative to the Symphoni LX Wall device. With an ingress protection rating of IP66, it is suited for wet and outdoor environments.



- | Conforms with EN54-23
- | LED technology
- | Unique optics for light management
- | Up to 7.5 m coverage volume
- | Coverage switch
- | Flash rate switch
- | Wide input voltage range
- | Soft start up
- | Easy wire base
- | Locking bases
- | IP66



SPECIFICATIONS

Model	Symphoni LX WP Wall
Operating Voltage	18-28 VDC (Fire Use), 12-28 VDC (Non fire Use)
Current consumption	15-30 mA dependet on setting
Coverage (y)	7,5 m (switchable to 2,5)
Mounting height (x)	2,4 m (max.)
Sound output	109 dB(A) @ DIN-Tone
Coverage Volume Code	W-2,4-7,5 (135 m³)
Flash rate	1 Hz (switchable to 0,5 Hz)
Operating temperature	-25°C to +70°C
IP rating	IP66
Body colours	white or red
LED colours	white or red

Unless otherwise noted specifications at 24 VDC. Tonetables on request or to download on www.compro.de

Accessories

A wide range of bases allows you to choose the right base for the best possible installation. The Shallow base is suited to concealed wiring allowing installation with minimum visual impact. The deep and „U“ bases cater for surface wiring of all types and provides ingress protection up to IP65.

The powered deep base incorporates a small 24 VDC supply that allows sounders and beacons to be operated from 110 or 230 VAC supplies.



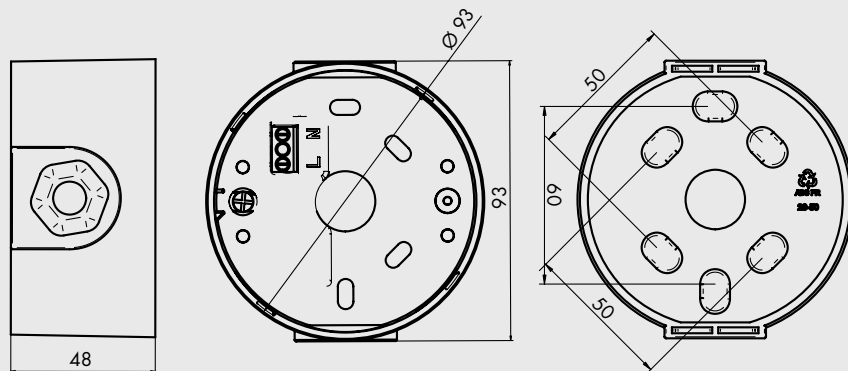
Bases

POWERED DEEP BASE

- | Wide input voltage range
- | Up to 100 mA output
- | IP65
- | Compatible to ROLP, ROLP Solista, Flashni, Solex 3, Solex 10, Solista Maxi



- Fire
- Security
- Industrial
- Railway
- Marine
- Optical
- Acoustic



SPECIFICATIONS

Model	Powered Deep Base
Operating Voltage	110–230 V AC
Current consumption	100 mA
IP rating	IP65
Operating temperature	-10°C to +55°C
Body colours	red or white
Construction	ABS FR

Bases

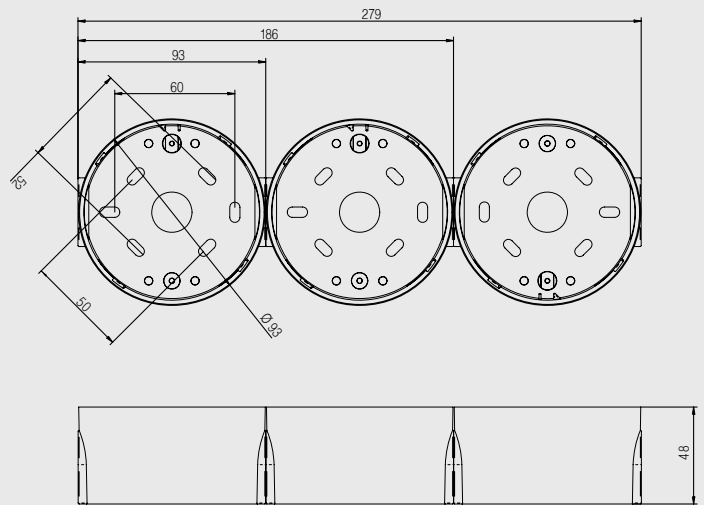
Double BASE



Triple BASE



- Fire
- Security
- Industrial
- Railway
- Marine
- Optical
- Acoustic



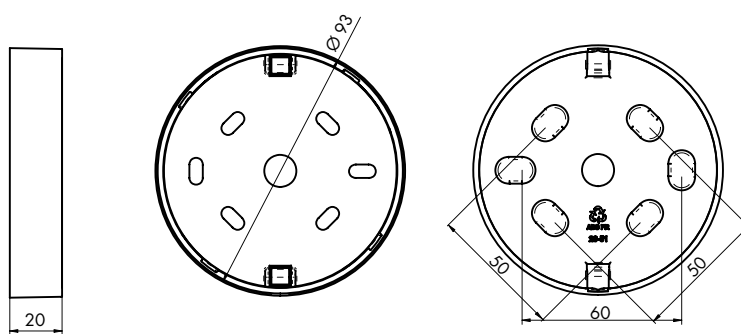
SPECIFICATIONS

Model	Double Base	Triple Base
IP rating	IP65	IP65
Operating temperature	-25°C to +70°C	-25°C to +70°C
Colours	red or white	red or white
Construction	ABS FR	ABS FR
Measurement	186 mm x H 48 mm	297 mm x H 48 mm

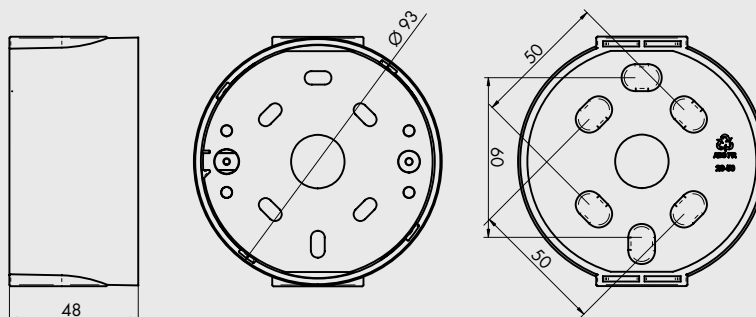
Compatible to ROLP, ROLP Solista Beacon, Flashni, Solex, Solista Maxi

Bases

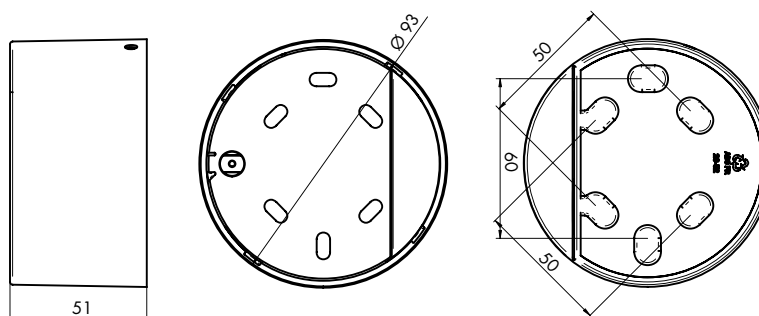
SHALLOW BASE



DEEP BASE

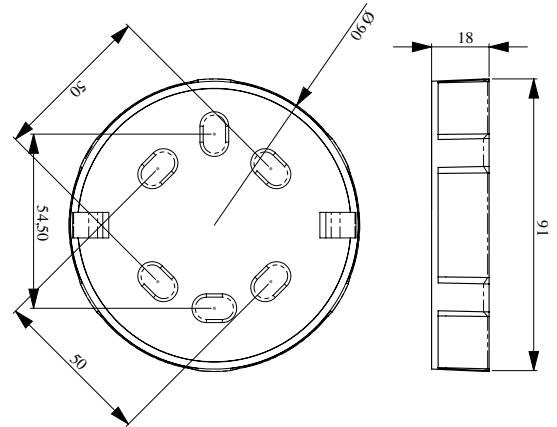


U-BASE

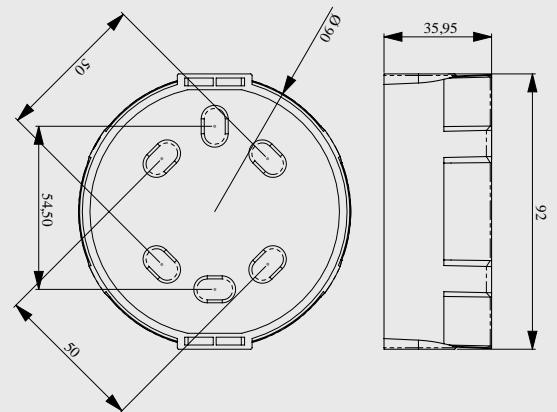


Bases

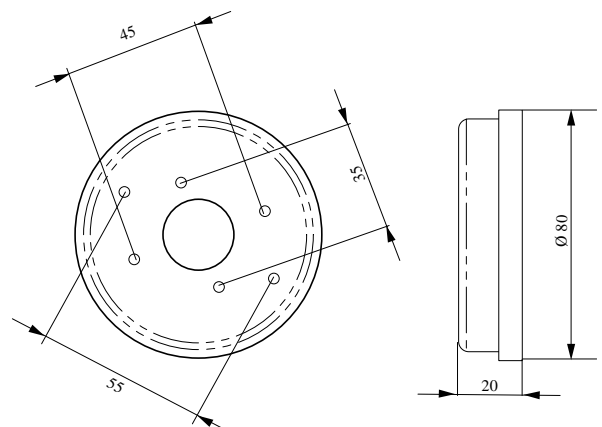
SHALLOW BASE for Chiasso-Series



DEEP BASE for Chiasso-Series

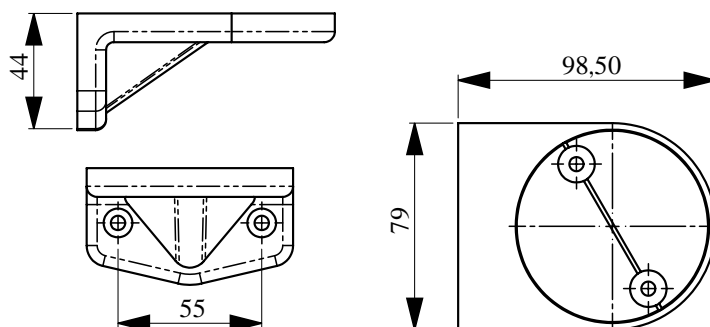


MAGNET BASE for CO BL 90/70/50

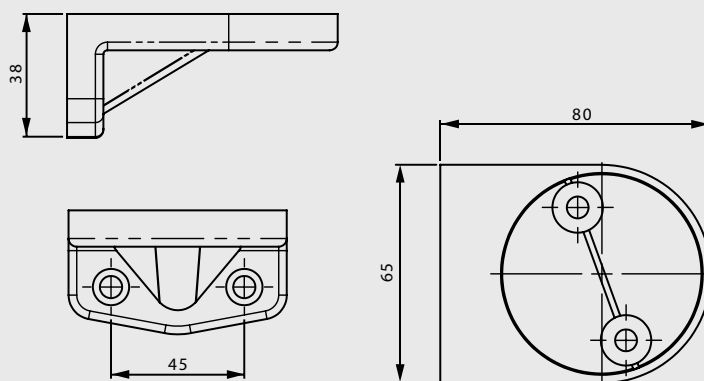
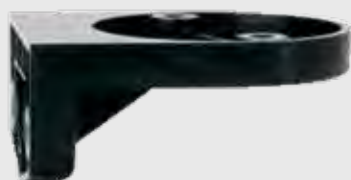


Accessories

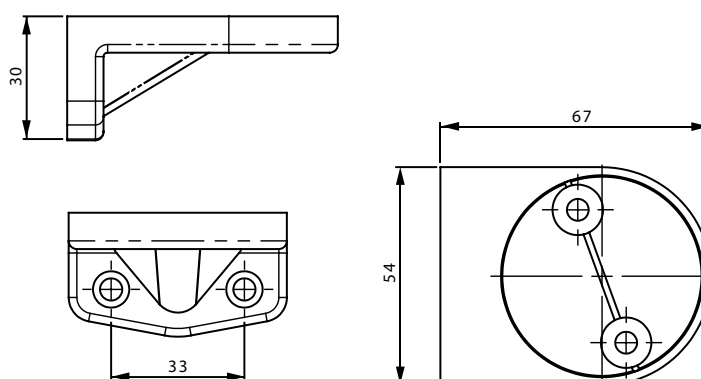
WALL MOUNT for CO BL 90



WALL MOUNT for CO BL 70

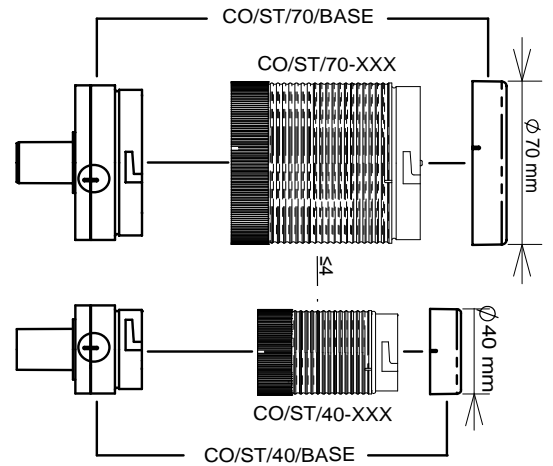


WALL MOUNT for CO BL 50

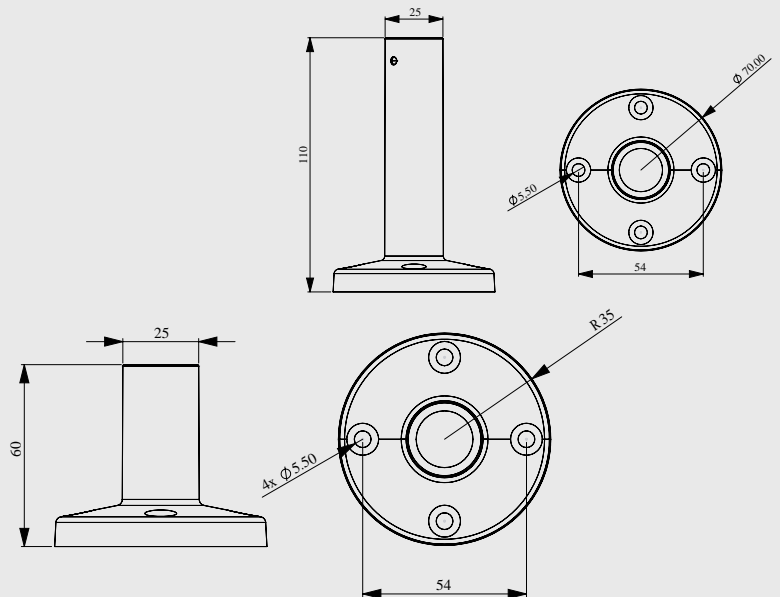


Accessories

BASE for Signal Towers



STAND 60 mm/110 mm for Signal Towers



SOUNDER for Signal Towers

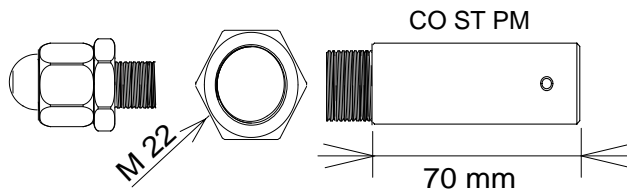


SPECIFICATIONS

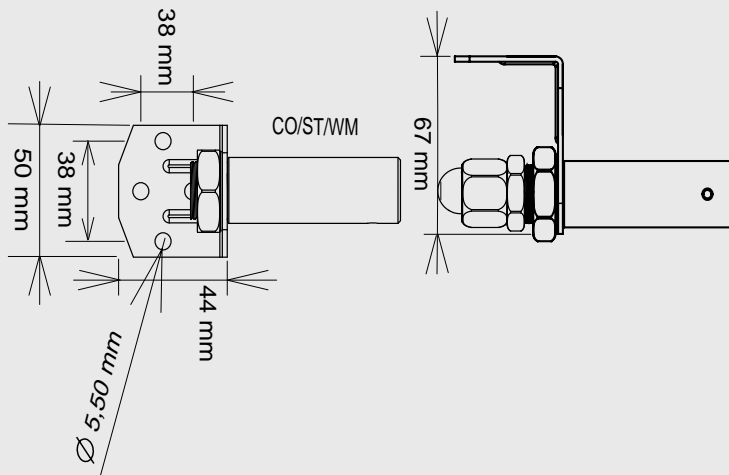
Model	Sounder
Operating Voltage	24 V
Current consumption	30 mA
IP rating	IP20
Sounder settings	continuous tone/pulse tone
Sound output	75 dB (A)

Accessories

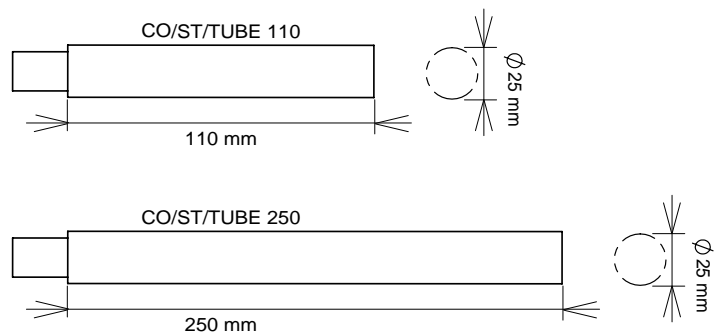
PANEL MOUNT for Signal Towers



WALL MOUNT for Signal Towers



EXTENSION TUBE for Signal Towers (110 and 250 mm)



Hazardous area alarms

Many industries have areas in which process can, from time to time, generate potentially explosive atmosphere. In such areas specialist equipment is required to ensure the safety of people and the installation itself. Compro offers a range of ATEX compliant alarm products suitable use for Flameproof (EX) installations.

Find our complete product range on www.compro.de or on request.





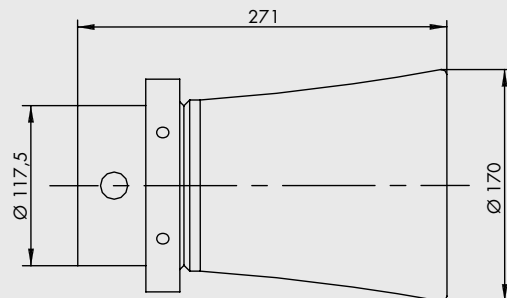
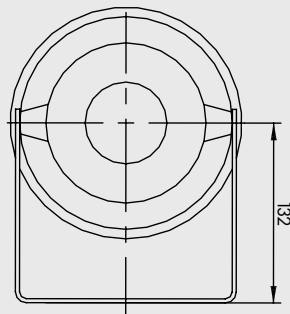
Hazardous area alarms

DB3

- | Sounder for different hazardous areas
- | Wide input voltage range
- | IP66 and IP67
- | UV-resistant and corrosion-free GRP



- Fire
- Security
- Industrial
- Railway
- Marine
- Optical
- Acoustic



SPECIFICATIONS

Model	DB3 24 VDC	DB3 230 VAC
Operating Voltage	12-48 VDC	230 VAC
Current consumption	12 VDC: 760 mA; 24 VDC: 380 mA; 48 VDC: 190 mA	65 mA
Sound output	118 dB(A)	118 dB(A)
Alarm tones	27	27
IP rating	IP66/IP67	IP66/IP67
Operating temperature	-55°C to +70°C	-55°C to +70°C
Body colour	red, additional colours on request	red, additional colours on request
Construction	GRP, UV-resistant	GRP, UV-resistant
Approvals	Several approvals for Ex-areas	Several approvals for Ex-areas

The shown products are just a small scheme of our product range with EX-approval.
Find a complete scheme of our product range on www.compro.de or on request.



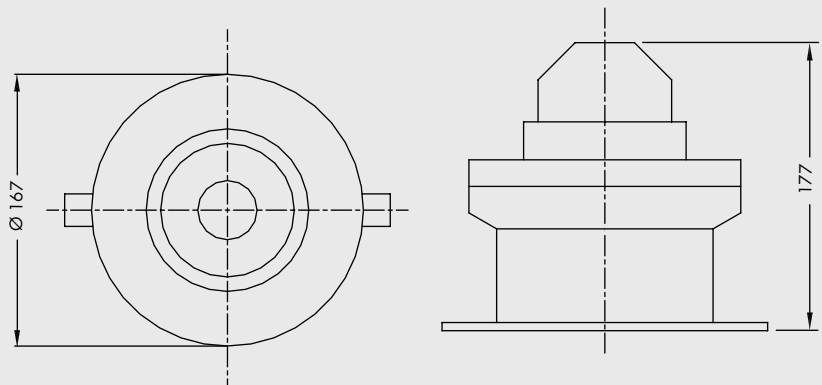
Hazardous area alarms

XB11

- | Xenon flash light
- | Wide input voltage range
- | IP66 and IP67
- | UV-resistant and corrosion-free GRP



- Fire
- Security
- Industrial
- Railway
- Marine
- Optical
- Acoustic



SPECIFICATIONS

Model	XB11 24 VDC	XB11 230 VAC
Operating Voltage	24 VDC	230 VAC
Current consumption	320 mA	60 mA
Sound output	5 J/1 Hz	5 J/1 Hz
IP rating	IP66/IP67	IP66/IP67
Operating temperature	-55°C to +70°C	-55°C to +70°C
Body colour	red	red
Construction	GRP, UV-resistant	GRP, UV-resistant
Approvals	Several approvals for Ex-areas	Several approvals for Ex-areas

The shown products are just a small scheme of our product range with EX-approval.
Find a complete scheme of our product range on www.compro.de or on request.



Hazardous area alarms

BExCS110-L1 Sounder-Beacon Unit with LED

- | 32 tones, 3 stages
- | Max. volume: 117 dB(A) @ 1 m
- | Light source: 32 high performance LEDs
- | 3 selectable warning stages
- | 12 VDC; 24 VDC; 48 VDC; 115 VAC; 230 VAC
- | BExCS110-L1D:
 - ⊗ II 2G EEx d IIB T4 (Ta. -50°C to +55°C)
- | Also available for advanced operating temperature:
 - Ta. -50°C to +70°C



IS-minialarm: IS-mA1 Sounder

- | 49 tones
- | 3 stages
- | Max. volume: 100 dB(A) @ 1 m
- | 16-28 VDC with barrier or isolator
- | According to BPR (EN54-3)
- | Measurement: H: 99 mm; Ø 88,7 mm
- | IS-mA1: ⊗ II 1G Ex ia IICT4 Ga (Ta. -40°C to +60°C)
- | IS-mA1M: ⊗ I M1 Ex ia I Ma (Ta. -40°C to +60°C)



E2xCS112-5 Sounder-Beacon Unit with Xenon

- | 45 tones, 3 stages
- | Max. volume: 110 dB(A) @ 1 m
- | 5 J @ 1 Hz (5 Ws)
- | 24 VDC; 48 VAC; 120 VAC; 230 VAC
- | E2xS112EG: Zone 2 ⊗ II 3G EEx nA nL IICT4 (Ta. -20°C to +55°C)
- | E2xS112UL: Class I, Div 2, Groups A, B, C, D T2D (215°C) (@ + 55°C)
 - Class I, Div 2, Groups A, B, C, D T3 (200°C) (@ +40°C)
 - Class II, Div 2, Groups F & G T6 (85°C)
 - Class III, Div 1, T6 (85°C)



The shown products are just a small scheme of our product range with EX-approval.
Find a complete scheme of our product range on www.compro.de or on request.

Acoustic Components

The acoustic portfolio of Compro includes all noted system technologies which are available on the market and are asked tomorrow.

We encourage by definition and assortment of the right signal components for your applications.



Acoustic Components

Buzzer

PRODUCTS

Type EBG	Dimension in mm	Voltage range	Resonance frequency	S.P.L. dB (A)	Terminal	Weight
EBG.12012.BF	Ø 12,8 x 12,8	12,0 V	2400 Hz	85 dB/0,1 m	SMD	2 g

Type EBP	Dimension in mm	Voltage range	Resonance frequency	S.P.L. dB (A)	Terminal	Weight
EBP.12.1,5.2,8.U.BF	Ø 12 x 8,5	1,5 V	2048 Hz	85 dB/0,1 m	PIN	2 g
EBP.12.001,5.U.BF	Ø 12 x 9	1,5 V	2400 Hz	80 dB/0,1m	PIN	2 g
EBP.12.003.U.BF	Ø 12 x 7,5	3,0 V	2731 Hz	85 dB/0,1 m	PIN	2 g
EBP.12.005.U.BF	Ø 12 x 9	5,0 V	2400 Hz	85 dB/0,1 m	PIN	2 g
EBP.12.012.U.BF	Ø 12 x 9	12,0 V	2400 Hz	85 dB/0,1 m	PIN	2 g
EBP.12.012.01.U.BF	Ø 12 x 9	12,0 V	2400 Hz	85 dB/0,1 m	PIN	2 g
EBP.16.012.01.U.BF	Ø 16 x 14	12,0 V	2048 Hz	85 dB/0,1 m	PIN	2 g
EBP.16.012.02.U.NL.BF	Ø 16 x 14,5	12,0 V	2048 Hz	85 dB/0,1 m	PIN	7 g

Type PBF	Dimension in mm	Voltage range	Resonance frequency	S.P.L. dB (A)	Terminal	Temperature range	Weight
PBF.43.024.2.U.BF	Ø 43 x 39	6 – 28 V DC	2900 Hz	87 ± 3 dB/1 m	FASTEN	-30 to +70°C	43 g
PBF.43.024.1.U.B.F	Ø 43 x 39	6 – 28 V DC	2900 Hz	95 ± 4 dB/1 m	FASTEN	-30 to +70°C	43 g
PBF.43.080.1.U.B.F	Ø 43 x 33	24 – 80 V DC	2900 Hz	95 ± 4 dB/1 m	PIN	-30 to +70°C	43 g

Type PBP	Dimension in mm	Voltage range	Resonance frequency	S.P.L. dB (A)	Terminal	Temperature range	Weight
PBP.12.030.U.BF	Ø 12 x 7,5	3 – 7 V DC	2300 Hz	min. 85 dB/0,1 m	PIN	-30 to +85°C	2 g
PBP.13,8.012.U.BF	Ø 13,8 x 7,5	3 – 16 V DC	4000 Hz	min. 80 dB/0,1 m	PIN	-30 to +70°C	1 g

Microphone

PRODUCTS

Type ECM	Dimension in mm	Sensitivity	Frequency	Directivity	Terminal
ECM.UGK0.6018C-B74	Ø 6 x 2,2	-40 ± 3 dB	50 ~ 16000 Hz	Omni directional	WIRE

Type MEP	Dimension in mm	Sensitivity	Frequency	Directivity	Terminal
MEP.06.040.U.BF	Ø 6 x 2,5	-40 ± 3 dB	100 ~ 10000 Hz	Omni directional	PIN
MEP.9,7.040.U.BF	Ø 9,7 x 4,5	-40 ± 3 dB	100 ~ 10000 Hz	Omni directional	PIN

Type MEW	Dimension in mm	Sensitivity	Frequency	Directivity	Terminal
MEW.03.044.U.BF	Ø 3 x 2,5	-44 ± 3 dB	50 ~ 16000 Hz	Omni directional	WIRE

Type M.HOB	Dimension in mm	Sensitivity	Frequency	Directivity	Terminal
M.HOB4013.CC1033.U.BF	Ø 4 x 1,4	-42 ± 3 dB	50 ~ 16000 Hz	Omni directional	SMD

Acoustic Components

Speaker

PRODUCTS

Type LCF	Dimension BxHxT in mm	Power (W)	Frequency range	S.P.L. dB (A)	Terminal	Resistance
LCF.36.100.U.BF	39,6 x 46,5 x 6,0	0,25 W	200 HZ ~ 20 KHz	83±3 dB/1 m	PIN	100±15% Ω/1 KHz/1 V
LCF.36.008.02.U.BF	∅ 36 x 5	1,0 W	200 HZ ~ 20 KHz	83±3 dB/0,5 m	PCB	8±15 % Ω/1 KHz/1 V

Type LCW	Dimension in mm	Power (W)	Frequency range	S.P.L. dB (A)	Terminal	Resistance
LCW.50.008.U.BF	∅ 50 x 7,6	1,0 W	200 HZ ~ 20 KHz	92±3 dB/0,1 m	WIRE	8±15% Ω/2 KHz/1 V

Type LFP	Dimension in mm	Voltage range	Frequency range	S.P.L. dB (A)	Terminal	Weight
LFP.46.030.C.BF	∅ 39 x 16,5	24 Vpp	300 ~ 3400 Hz	95 dB/1 m	PIN	28 g

Type LMR	Dimension in mm	Power (W)	Frequency range	S.P.L. dB (A)	Terminal	Resistance
LMR.380.045.LF.U.BF	∅ 37 x 16,5	0,3 W	200 HZ ~ 20 KHz	91±5 dB/0,1 m	SPRING	50±10% Ω/1 KHz/1 V
LMR.380.045.P.U.BF	∅ 37 x 16,5	0,3 W	200 HZ ~ 20 KHz	91±5 dB/0,1 m	PIN	50±10% Ω/1 KHz/1 V
LMR.380.045.T.U.BF	∅ 37 x 16,5	0,3 W	200 HZ ~ 20 KHz	91±5 dB/0,1 m	SPRING	50±10% Ω/1 KHz/1 V
LMR.28.008.U.BF	∅ 28 x 4	0,5 W	200 HZ ~ 20 KHz	90±5 dB/0,1 m	PCB	8±15% Ω/2 KHz/1 V
LMR.42.016.U.BF	39,6 x 42,5 x 6,0	0,25 W	200 HZ ~ 20 KHz	93±3 dB/0,1 m	PIN	16±15% Ω/1 KHz/1 V

Type LMW	Dimension in mm	Power (W)	Frequency range	S.P.L. dB (A)	Terminal	Resistance
LMW.43.100.01.U.BF	∅ 43 x 33	0,25 W	500 ~ 2000 Hz	> 88 dB/0,5 m	WIRE	100±15% Ω/1 KHz/1 V

Sirens

PRODUCTS

Type PSS	Dimension in mm	Voltage range	Frequency	Volume	Current consumption	Temperature range	Tones
PSS.55030	∅ 55 x 46	3 – 30 V	2,7 ± 0,5 kHz	110 ± 3 dB	< 20 mA @ 12 V	-20° to +70°C	3 selectable before production
PSS.55080	∅ 55 x 46	30 – 80 V	2,7 ± 0,5 kHz	110 ± 5 dB	< 65 mA @ 50 V	-20° to +70°C	3 selectable before production
PSS.55120	∅ 55 x 46	80 – 120 V	2,9 ± 0,5 kHz	110 ± 3 dB	< 35 mA @ 110 V	-20° to +70°C	3 selectable before production

Type PSS	Dimension in mm	Voltage range	Frequency	Volume	Current consumption	Temperature range	Tones
PSW.90030	∅ 92 x 37	3 – 30 V	2,7 ± 0,5 kHz	110 ± 3 dB	< 35 mA @ 12 V	-20° to +70°C	3 selectable
PSW.90080	∅ 92 x 37	30 – 80 V	2,7 ± 0,5 kHz	110 ± 5 dB	< 65 mA @ 50 V	-20° to +70°C	3 selectable
PSW.90120	∅ 92 x 37	80 – 120 V	2,9 ± 0,5 kHz	110 ± 3 dB	< 35 mA @ 110 V	-20° to +70°C	3 selectable

Acoustic Components

Transducer

PRODUCTS

Type ETG	Dimension in mm	Voltage range	Resonance frequency	S.P.L. dB (A)	Terminal	Weight
ETG.05.003.U.BF	5 x 5 x 3	3 V	4000 Hz	75 dB/0,1 m	SMD	0,3 g
ETG.14.003.U.BF	11 x 14 x 3	3 V	3200 Hz	85 dB/0,1 m	SMD	1,0 g
ETG.14.001,5.U.BF	11 x 14 x 3	1,5 V	3200 Hz	85 dB/0,1 m	SMD	1,0 g
ETG.13.005.U.BF	12,8 x 12,8 x 6,5	5 V	2400 Hz	85 dB/0,1 m	SMD	2,0 g
ETG.12.016.U.BF	12,8 x 12,8 x 6,5	12 V	2400 Hz	85 dB/0,1 m	SMD	2,0 g
ETG.09.004.U.BF	9 x 9 x 4,5	3,6 V	2670 Hz	85 dB/0,1 m	SMD	0,8 g
ETG.08,5.004.U.BF	8,5 x 8,5 x 4	3,6 V	2700 Hz	85 dB/0,1 m	SMD	0,6 g
ETG.08,5.004.1.U.BF	8,5 x 8,5 x 4	3,6 V	3000 Hz	85 dB/0,1 m	SMD	0,6 g
ETG.08,5.003.U.BF	8,5 x 8,5 x 3	3,6 V	2700 Hz	85 dB/0,1 m	SMD	0,6 g
ETG.08,5.003.1.U.BF	8,5 x 8,5 x 3	3 V	2670 Hz	85 dB/0,1 m	SMD	0,6 g
ETG.07,5.004.U.BF	7,5 x 7,5 x 2,6	3,6 V	2670 Hz	82 dB/0,1 m	SMD	0,5 g

Type ETP	Dimension in mm	Voltage range	Resonance frequency	S.P.L. dB (A)	Terminal	Weight
ETP.16.012.01.U.BF	∅ 16 x 14	12 V	2048 Hz	85 dB/0,1 m	PIN	5 g
ETP.16.012.U.BF	∅ 16 x 14	12 V	2048 Hz	85 dB/0,1 m	PIN	5 g
ETP.25.005.U.BF	∅ 25 x 12,5	5 V	1000 Hz	85 dB/0,1 m	PIN	10 g
ETP.12.012.U.BF	∅ 12 x 9,5	12 V	2300 Hz	85 dB/0,1 m	PIN	2 g

Type PTG	Dimension in mm	Voltage range	Resonance frequency	S.P.L. dB (A)	Terminal	Weight
PTG.23030.01.U.BF	∅ 23 x 11,1	9 Vpp	4000 Hz	95 dB/0,1 m	SMD	1,0 g

Type PTP	Dimension in mm	Voltage range	Resonance frequency	S.P.L. dB (A)	Terminal	Weight
PTP.30.012.U.BF	∅ 30 x 7,5	1 ~ 30 Vpp	3000 Hz	90 dB/0,1 m	PIN	2 g

Professional measuring instruments and testers



These days, measuring instruments and testers are essential tools when carrying out construction, repair and maintenance tasks involving electrical and installations. Since 60 years professionals all over the world have trusted in Testboy products. The reason is, all Testboy devices are characterised by their optimum user-friendly design, their highly practical combination of as many functions as possible and of course also by their consistent and robust quality.

Download the newest catalogue now!



www.testboy.de



Terms and conditions

For the supply of products and services in the electronics industry

The following sales and business conditions apply to all contracts agreed upon between the seller and the buyer concerning the delivery of goods. They are also valid for all future dealings even if not referred to explicitly. If deviating conditions from the buyer are not agreed to in writing by the seller, then they are not binding for the seller, even if the seller does not expressly revoke them.

Offer, ordering and order acceptance

1. All seller offers are revocable and non-binding. The seller considers only those specially-prepared offers with corresponding written consent to be binding for the time period stipulated in the agreement. Prototypes, brochures and product descriptions of any type shall only be used as illustrative aids.
2. All orders from the buyer require the written consent of the seller for the order to be contractually legally valid. The acceptance of orders is conditionally dependent on deliverability. Issued orders are irrevocable. Changes and additions require written approval. Explicit written consent is required before an order can be cancelled.

Scope of delivery or services

1. The regulations of the German Electrical Association are valid for all deliveries of services provided, to the extent that they pertain to the safety of the delivery or service. Deviations are permitted as long the same level of safety is ensured by some other means.
2. Protective equipment will also be delivered as expressly agreed or in compliance with legal regulations.
3. The seller retains all copyright and rights to all cost estimates, drawings and other documentation. These documents shall not be made accessible to third parties without the seller's prior consent. All drawings and documents with the offers shall, upon request, be returned without undue delay to the bidder if the contract is not awarded to the bidder.
4. Subsidiary agreements – particularly including guaranteed characteristics, changes and supplements – must be included in written form to be valid.

Price and payment conditions

1. The seller's prices are quoted in euro and do not include tax. They are valid "ex works" as long as no other agreement has been made with the buyer. Packing costs are not included in the per-item price.
2. Prepayment is required before delivery for all new or unknown customers. After the first two deliveries and for continuous business relations, the amount invoiced is due within 14 days of the invoice date, as long as no other payment plan has been agreed to in writing.
3. Cheques and drafts (bills of acceptance) will only be accepted as payment if a prior written agreement has been established. Discounting fees (according to private bank rates) will be charged by the seller based on the account due date, regardless of the time that the bill was received.
4. Payments shall only be considered to have been made on the day on which the seller can freely dispose of the invoice amount without any loss on his part.
5. A retention of payment or offset due to any existing counter-claims of the buyer is excluded, with the exception of undisputed claims or claims which have been recognised by legally-binding declaratory judgment. Payments to employees or representatives shall be valid if such persons are authorized to accept payments.
6. The buyer will fall behind in payment, regardless whether a reminder has been sent, if he has not paid by the agreed-upon payment date. If the buyer is late with a payment, the seller is entitled from that moment on to charge interest at a rate that is 8% higher than the base lending rate of the German Central Bank. There shall be no obligation on the part of the seller to make any further deliveries deriving from current contracts before the due invoice amounts including interest on arrears have been paid. Should the buyer be in arrears with the payment of an invoice, all of his liabilities shall become immediately due and the buyer shall be able to demand cash payment before delivery of the goods for all remaining outstanding deliveries under discontinuance of the terms of payment. The same shall apply in case of the dishonouring of bills and cheques, cessation of payment, bankruptcy as well as request for a scheme of arrangement on the part of the buyer.

Items delivered on demand ("call orders")/general agreements

The period of validity of call orders shall be limited to a maximum of 12 months. After 12 months, the remaining quantities shall be delivered automatically.

Retention of title

1. All items delivered by the seller remain the seller's property until the complete payment of the purchase price has taken place and until satisfaction in full of all claims resulting from the business relationship (extended reservation of title).
2. The buyer must notify the seller in writing without delay of all interventions by third parties, especially foreclosure measures as well as any other encroachments upon his property. The buyer must compensate the seller for all damages and costs from failure to meet this obligation and those which arise due to necessary counter-interventions to halt the interventions to third parties.
3. If the buyer does not meet his payment obligations despite a reminder from the seller, then the seller may demand the return of any goods still in his possession without notice or deadline. Any resulting transportation costs must be paid by the buyer. If the goods are seized by the seller, this always represents withdrawal from the contract. The seller is entitled to resell the goods after having them returned. The proceeds of this sale shall be offset against the buyer's liabilities – minus appropriate utilisation costs.

Times of delivery and performance

The following is valid in the event that a delivery deadline is required or has been agreed upon:

1. If the seller is unable to meet an agreed-upon deadline or otherwise falls behind, the buyer must accord the seller a reasonable grace period, starting on the day the seller receives the written reminder. After this grace period has expired with no result, the buyer has the right to withdraw from the contract.
2. Should non-compliance with the term of delivery or performance be demonstrably caused by mobilization, war, revolt, strike, lockout or the occurrence of unforeseeable hindrances, the term shall be extended to a reasonable extent.
3. In the event of a delivery delay, the seller shall be held liable according to the legal regulations if the delivery delay was the result of deliberate or gross negligence attributable to the seller in regard to fulfilling an obligation. Faults made by the seller's representatives or agents shall be attributed to the seller. If the delivery delay does not stem from a grossly negligent or intentional breach of duty by the seller, then the seller is only liable for damage that is typical and predictable.
4. Compliance with the delivery period shall be subject to the buyer's fulfilment of his contractual obligations in good time, in particular making the agreed payments and, where applicable, providing the agreed security.
5. Any further legal claims of the buyer relating to a delivery delay remain unaffected.
6. The seller is entitled to make partial deliveries and partial performances at any time as long as this is deemed acceptable for the buyer.

Shipment/transfer of risk

1. Should the ordered goods need to be shipped, this shall be done from the seller's headquarters (49377 Vechta, Germany) on the account and risk of the buyer. As long as no alternative agreement has been reached, the seller is entitled to choose the type of transportation and the transport operator. The risk will also be transferred to the buyer when the goods are sent out from the Vechta headquarters, even when free delivery has been agreed upon.
2. If the dispatch of the goods is delayed for reasons caused by the buyer, then the risk shall be transferred to the buyer at the time that the goods are ready to be sent. Costs caused by delay are the responsibility of the buyer.
3. The packaging material will be charged at the lowest cost and cannot be returned. A special agreement is required if custom packaging is needed. Packaging shall be carried out with utmost care. By request and at the expense of the buyer, the delivery shall be insured against breakage, transport and fire loss.

Terms and conditions

Liability for defects/warranty

The seller shall be liable for any defects and also the absence of any promised qualities, as follows:

1. Any objections regarding invoices, delivered quantity or the condition of the goods must be sent to us within eight days of receiving the goods or invoice. We will not accept objections or complaints later than this deadline.
2. The buyer is obliged to check the delivered goods immediately after delivery and to immediately notify the seller in writing of any existing damage. Defects to which objection is belatedly raised contrary to the aforementioned obligation shall not be considered by the seller and are excluded from the warranty. Notice of defects will only be accepted by the seller when they are sent in writing. Objections put forth to external sales representatives, carriers or other third parties shall not be considered proper or timely objections. Damages caused by wear, improper handling, normal wear and tear or interference by a third party will not be replaced during the warranty or guarantee time periods. Servicing, fine tuning and adjustment work is not included in the scope of the warranty or guarantee. The performance of supplementary actions can be refused when there are disproportionate costs associated.
3. The buyer must allow the seller to remedy defects at a time and opportunity based on reasonable judgement. If this opportunity is refused, then the supplier is relieved of any liability for the defect.
4. The right of the buyer to make claims as a result of defects terminates in all cases six months after the occurrence of the objection. If no settlement is reached within this period, then the seller and the buyer may agree on an extension of this statute of limitations period.
5. Liability for defects shall not apply to natural wear and tear and also not to losses or damage caused after the transfer of risk due to incorrect or negligent handling, excessive strain, inappropriate means of operation, or damages caused by chemical, electro-chemical, or electrical influences, which are not premised under the contract.
6. Goods which have to be returned to the seller as a result of a defect may only be returned with the prior written consent of the seller. No returns will be accepted without the seller's prior agreement. In such a case, the buyer will be responsible for the cost of the returned shipment.
7. The existence of a properly notified fault that has been established as such confers the following rights in the buyer:
 - a) The buyer initially has the right to demand subsequent performance from the seller in case of a defect. The option whether a new delivery of the article or a rectification of the defect takes place shall be decided by the seller at his own discretion.
 - b) In addition, if an attempt at subsequent performance fails, the seller has the right to undertake subsequent performance again, at its own discretion. Only then when the repeated subsequent performance also fails, shall the buyer have the right to withdraw from the contract or to reduce the purchase price. (If the buyer decides to withdraw from the contract, he is obliged to return the defective goods and compensate the seller for the loss of value. The linearly depreciated value in relation to the actual length of use shall be used in order to calculate the value of use.)
 - c) During the supplementary performance, the reduction of the purchase price or withdrawal from the contract on the part of the buyer is not permitted.
8. The buyer may only claim compensation or reimbursement of futile expenses in the event of the grossly negligent or intentional violation of the obligation to deliver goods free from defects. He must substantiate the reasons for and the amount of any damage sustained. The same applies for the reimbursement of any expenditure incurred.
9. The warranty period for new and used goods extends to 24 months after the date of delivery. In all cases the buyer must prove that the defect existed at the time of delivery.

Return of goods

Prior written consent is always required for returns or exchanges. In no case goods prepared according to specific customer request be returned.

Liability of the seller

The seller is not liable for any damages that he or his legal representative or agent have caused by simple negligence. This pertains without consideration of the legal nature of the asserted claim in particular to delays, other breaches of duty or prohibited actions. These limitations of liability do not apply for damages to physical health or life, or in case of gross violation of contractual duties.

Seller's right of withdrawal

The seller is entitled to withdraw from the contract for the following reasons:

1. If it arises, contrary to assumptions in existence before the conclusion of the contract, that the customer is not creditworthy. Lack of creditworthiness may in any event be assumed in the case of default in payment by the buyer or an unsuccessful attempt to levy execution at the buyer. It is not necessary that it refers to relations between the seller and the buyer.
2. If it becomes apparent that the buyer gave incorrect information about his creditworthiness and this information is of considerable significance.
3. If the goods subject to the seller's reservation of title are sold other than in the buyer's ordinary course of business, especially by a transfer by means of security or by pledging the goods. Exceptions to the above shall only exist if the seller has given his approval to the disposition in writing.

Claims for damages

The buyer is not entitled to make any claim for compensation on grounds of active breach of conditions or violation of obligations during contract negotiations or on grounds of prohibited action. This shall not apply if, for example, in the case of bodily injury or losses to private property, liability is mandatory according to the product liability laws, or in cases involving deliberate acts or gross negligence. This limitation of liability applies also to the buyer.

Product revisions

We reserve the right to make technical changes and product revisions made in the interest of technical progress without being obliged to make replacement deliveries of older designs or product variants.

Special provisions

1. The buyer shall observe all special requirements which may pertain before the initial commissioning of the finished goods. The seller cannot be liable for recourse relating to negligent or culpable behaviour on behalf of the buyer.
2. Before the initial commissioning (in particular for imported goods) the buyer may only resell the goods to the end user when the goods comply with the VDE (German Electrical Engineering Association) regulations or other appropriate German standards. The seller cannot be held liable when the buyer does not verify this compliance.

Place of jurisdiction

The place of performance and jurisdiction for the delivery and payment is 49377 Vechta, Germany.

In all cases, especially also in the case of cross-border deliveries, the law of the Federal Republic of Germany shall be applicable.

Final provisions, applicable law

The relationships between the contractual parties are dictated exclusively according to the applicable laws in Germany. Uniform laws on the international sale of movable goods as well as the law on the signing of international commercial contracts for movable goods are not applicable. Should any provision of these general terms and sale/delivery/payment conditions be or become invalid or unfeasible, this shall in no way affect the validity of the remaining provisions of the general conditions of sale, delivery and payment.

Compro Logistic facilities



Headquarter
Vechta, Germany

Warehouse
Guarulhos, Brasil

Office
Shenzhen, China

Warehouse
Hong Kong, China

Manufacturing Facility
Changzhou Jiangsu, China

Warehouse
Shanghai, China

- INDUSTRIAL SOUNDERS
- ALARM SOUNDERS
- SOUNDERS WITH TONE
AND VOICE OUTPUT
- BEACONS
- ACOUSTIC COMPONENTS

Compro[®]

Electronic GmbH

www.compro.de

Beim Alten Flugplatz 3 · 49377 Vechta · Germany
Tel. +49 (0) 4441 89112-50 · Fax +49 (0) 4441 89112-55

V 1.0